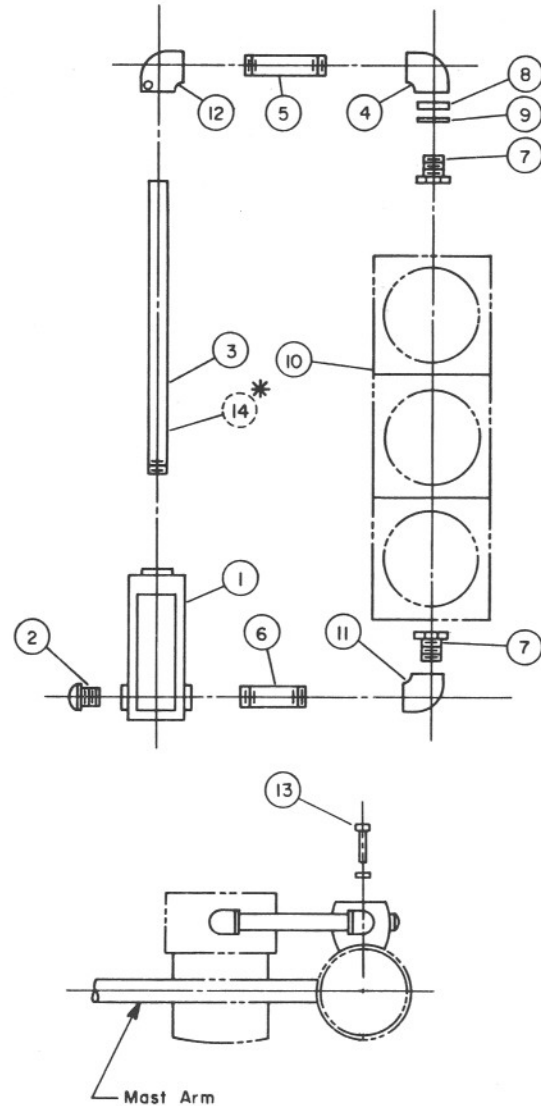


NIPPLE LENGTH
(ITEM 3)

Signal Face	C	J	F	M	N	G
Nipple Length	24	28 5/8	37 7/8	38 3/4	43 3/8	52 5/8

Threads On One End Only



MOUNTING ORIENTATION PLAN



PLAN SYMBOLS

LIST OF MATERIALS

Item	Qu.	Description
1	1	Terminal Compartment For Side Mtg. (See T.S. 10-4-1)
2	1	Ornamental Cap (See T.S. 10-1-6)
3	1	1 1/2" I.D. Pipe, See Table
4	1	1 1/2" I.D. Pipe 90° Ell
5	1	1 1/2" I.D. Pipe Nipple, 18 1/2" Long
6	1	1 1/2" I.D. Pipe Nipple, 18" Long
7	1	1 1/2" Lock Nipple, See Note No. 1
8	1	Flat Washer
9	1	Neoprene Washer
10	1	Signal Head, See Plans
11	1	90° Ell With Locking Device (See T.S. 10-1-2)
12	1	1 1/2" I.D. Pipe 90° Ell, Drill & Tap For Setscrew
13	2	1/2" x 2" Galvanized Steel Bolt 13-UNC With Flat Washer And Lock Washer.
* 14	1	1 1/2" Pipe Nipple 9 1/2" - For Pedestrian Signal Units ONLY (For Illuminated Message, Use 25 3/8" Pipe)

NOTES:

- Lock Nipple Length Shall Be 1 1/8" For 8" Heads And 1 3/4" For 12" Heads.
- For Pole Drilling Detail See T.S. 4-18.

* Special Nipple Length For Use Only With Ped. Signal Single Head Units.

DESIGN APPROVED <i>Charlie Brown</i> 7/24/85	STATE OF ARIZONA DEPARTMENT OF TRANSPORTATION DIVISION OF HIGHWAYS STANDARD DRAWINGS	REV.
APPROVED FOR DISTRIBUTION <i>[Signature]</i>	TYPE V MOUNTING ASSEMBLY	DRAWING NO. T.S. 9-3