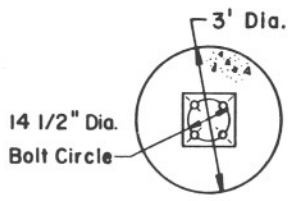
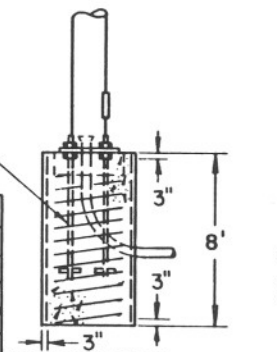


8-No. 7 Verticle Bars,
3/8" Ø Cold Drawn Steel
Wire Spiral Cage With
3" Pitch.

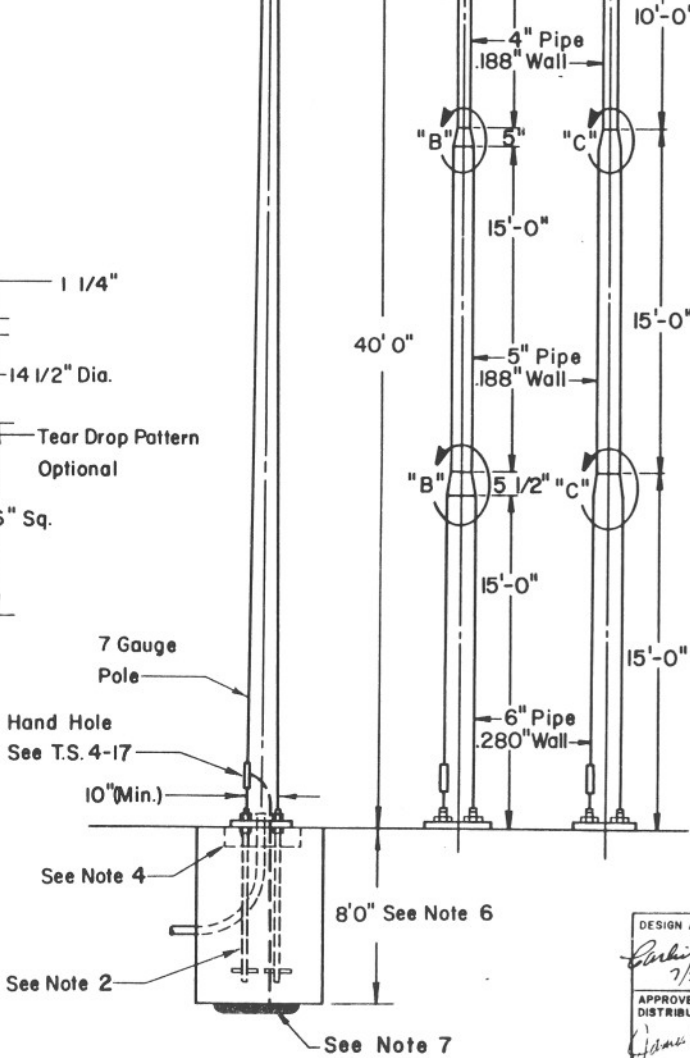


MAST ARM INFORMATION

Lgth.	Rise	Ga.	"D" Min.	Ga.	"D" Min.
6'	2'-0"	11	3-1/4"	10	3-3/8"
8'	2'-6"	11	3-1/2"	10	3-5/8"
10'	3'-4"	11	3-13/16"	10	3-7/8"
12'	4'-3"	11	4-1/16"	10	4-5/16"
15'	4'-9"	11	4-1/4"	10	4-3/4"
18'	5'-9"	11	5-3/4"	10	5-3/16"
20'	5'-9"	7	5-1/4"	7	5-1/4"

FOUNDATION FOR
STANDARD POLE BASE

FOUNDATION PLAN



- NOTES:**
- All materials and construction shall conform to the requirements of the Specifications.
 - See T.S. 4-20 detail "B" for anchor bolt details. Each anchor bolt shall have four hex nuts and two flat washers.
 - Anchor bolts shall project 3" above the foundation.
 - Block out for leveling nuts. See specs. for grout.
 - Conduit shall project a minimum of 2" and a maximum of 4" above the foundation.
 - Unstable soil may require deeper foundation. See Specifications.
 - A 25' coil of No. 4 AWG bare copper conductor shall be installed before the concrete is poured and connected to pole grounding screw in the hand hole.
 - The foundation hole shall be augered and class "S" (3000 PSI) concrete poured against undisturbed compacted earth.

POLE	TYPE OF BASE
T.S. 4-8-1	STANDARD
T.S. 4-8-R	SLIP-AWAY
T.S. 4-8-L	See T.S. 5-3

DESIGN APPROVED <i>Barbie Brown</i> 7/20/61	STATE OF ARIZONA DEPARTMENT OF TRANSPORTATION DIVISION OF HIGHWAYS STANDARD DRAWINGS	REV. 10-6-86
APPROVED FOR DISTRIBUTION <i>J. L. Brown</i>	TYPE "H" POLE AND MAST ARM	DRAWING NO. T.S. 4-8