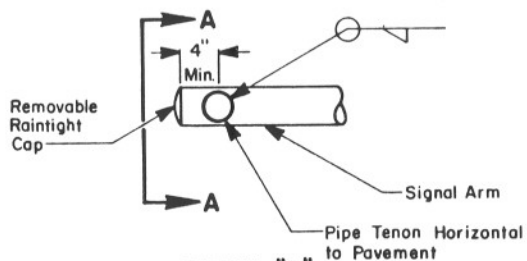
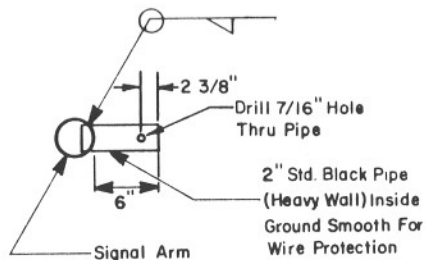


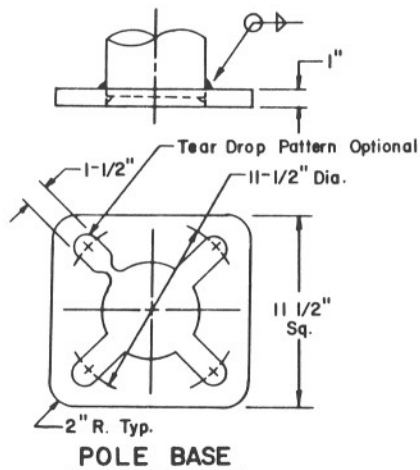
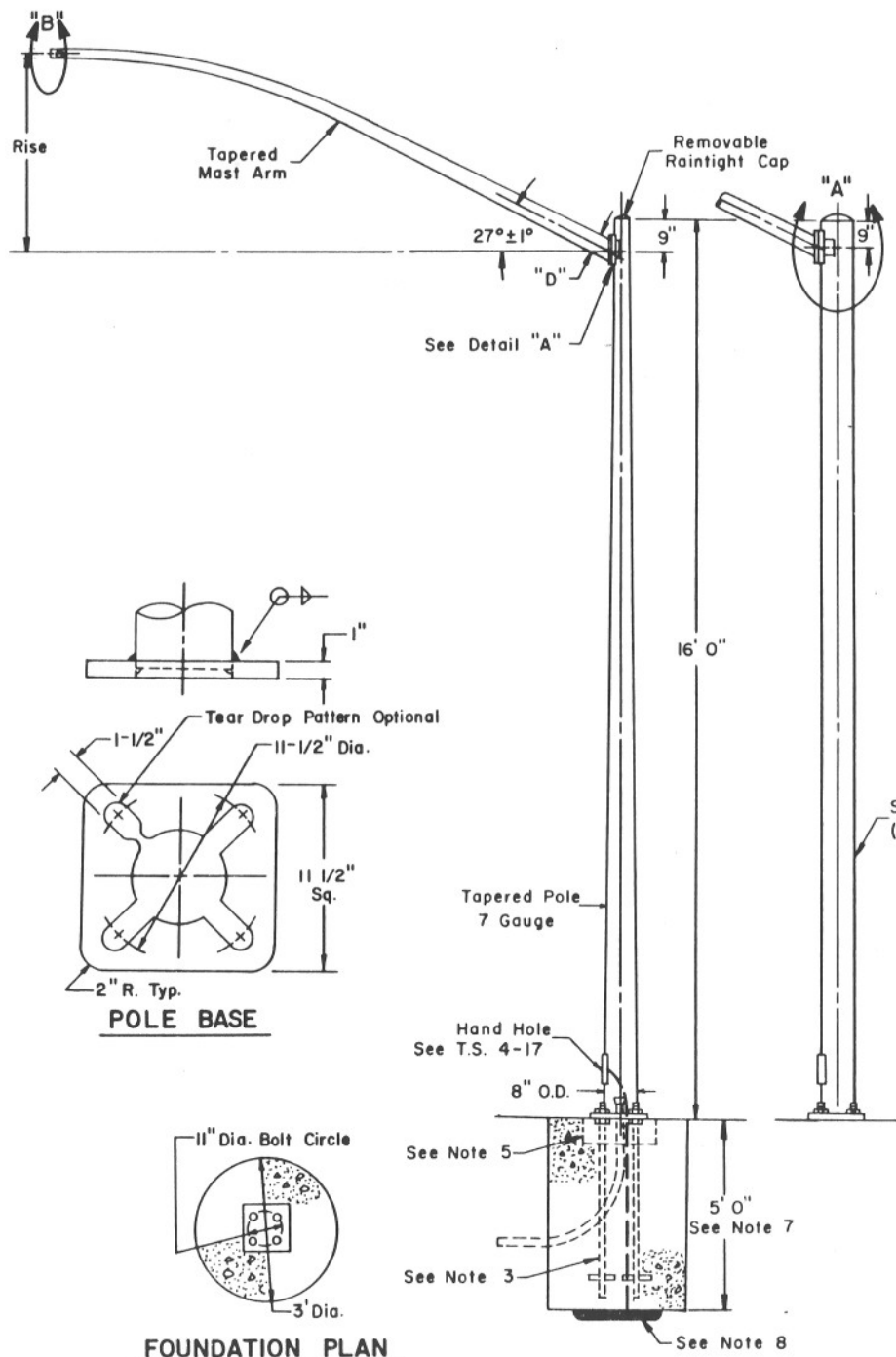
DETAIL "A"



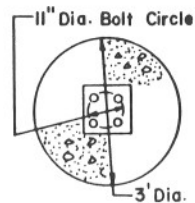
DETAIL "B"



SECTION A-A



POLE BASE



FOUNDATION PLAN

NOTES:

1. All materials and construction shall conform to the requirements of the Specifications.
2. The signal mast arm shall be tapered steel. See table for gauge and diameter.
3. See T.S.4-20 detail "B" for anchor bolt details. Each anchor bolt shall have four hex nuts and two flat washers.
4. Anchor bolts shall project 3" above the foundation.
5. Block out for leveling nuts. See specs. for grout.
6. Conduit shall project a minimum of 2" above the foundation. Maximum projection shall be 4".
7. Unstable soil may require deeper foundation. See Specifications.
8. A 25' coil of No. 4 AWG bare copper conductor shall be installed before the concrete is poured and connected to pole grounding screw in the hand hole.
9. For inboard tenon, when specified, see tenon detail on T.S. 9-1.
10. The foundation hole shall be augered and class "S" (3,000 PSI) concrete poured against undisturbed compacted earth.

MAST ARM INFORMATION					
Lgth.	Rise	Ga. "D" Min.	Ga. "D" Min.	Ga. "D" Min.	Ga. "D" Min.
12'	4' 3"	11	4 15/16"	10	4 5/16"
15'	4' 9"	11	5 5/16"	10	4 3/4"
18'	5' 9"	11	5 13/16"	10	5 3/16"
20'	5' 9"	7	5 1/4"	7	5 1/4"

DESIGN APPROVED <i>Charles Brown</i> 7/24/88	STATE OF ARIZONA DEPARTMENT OF TRANSPORTATION DIVISION OF HIGHWAYS STANDARD DRAWINGS	REV. 10-6-86
APPROVED FOR DISTRIBUTION. <i>[Signature]</i>	TYPE "E" POLE AND MAST ARM	DRAWING NO. T.S. 4-5