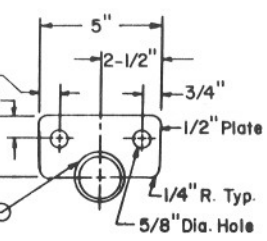
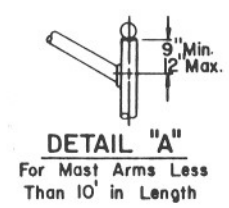


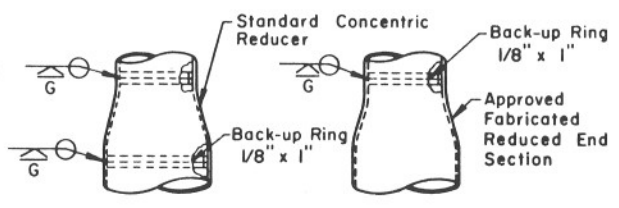
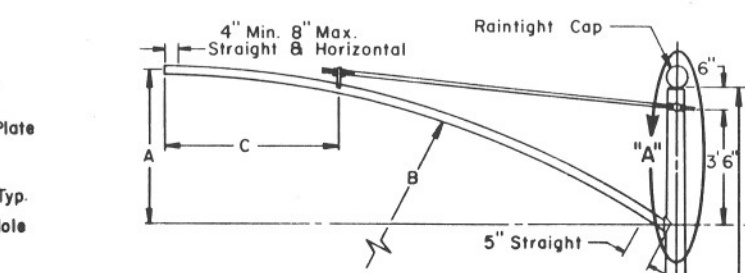
MAST ARM SHOE AND POLE PLATE



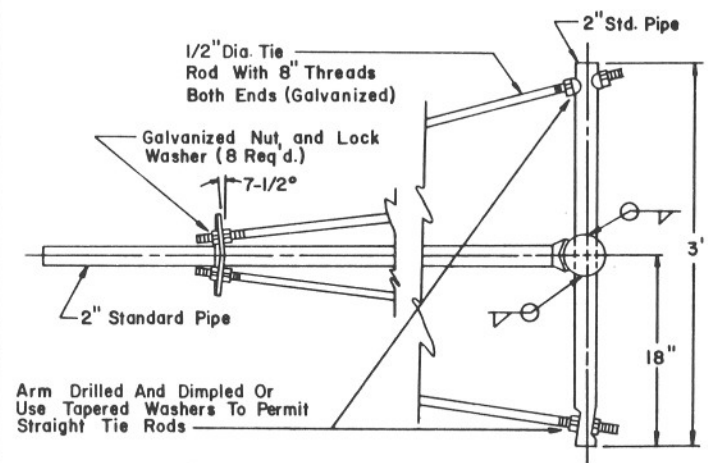
TIE ROD PLATE



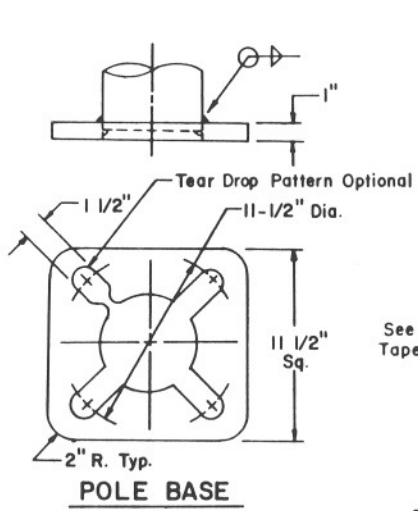
DETAIL "A"
For Mast Arms Less Than 10' in Length



DETAIL "B" DETAIL "C"



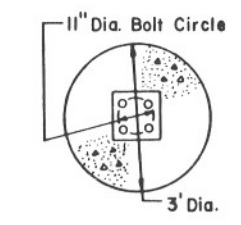
Arm Drilled And Dimpled Or Use Tapered Washers To Permit Straight Tie Rods



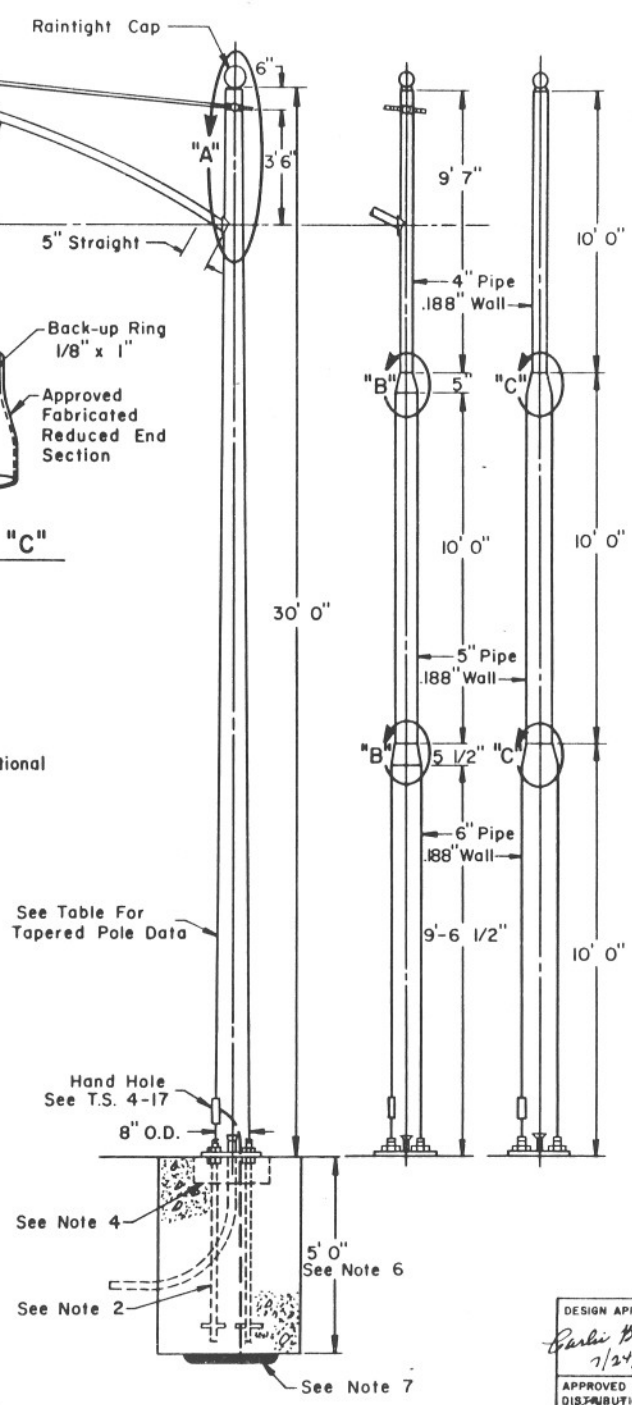
POLE BASE

MAST ARM & TAPERED POLE DATA

ITEM	NOMINAL ARM LENGTH								
	4'	6'	8'	10'	12'	15'	18'	20'	
Pole Ga.	10 or 11	10 or 11	10 or 11	10 or 11	10 or 11	10 or 11	7	7	
A	1' 6"	2' 2"	3' 0"	4' 0"	4' 6"	5' 6"	5' 6"	5' 6"	
B	4' 8 1/2"	7' 6"	10' 5"	13' 0"	16' 4 3/4"	22' 6"	31' 4 1/4"	38' 2"	
C				2' 11"	4' 0"	5' 6 1/2"	6' 0"	6' 0"	



FOUNDATION PLAN



See Table For Tapered Pole Data

See Note 4

See Note 2

See Note 7

NOTES:

- All materials and construction shall conform to the requirements of the Specifications.
- See T.S. 4-20 detail "B" for anchor bolt details. Each anchor bolt shall have four hex nuts and two flat washers.
- Anchor bolts shall project 3" above the foundation.
- Block out for leveling nuts. See specs for grout.
- Conduit shall project a minimum of 2" above the foundation. Maximum projection shall be 4".
- Unstable soil may require deeper foundation. See Specifications.
- A 25' coil of No. 4 AWG bare copper conductor shall be installed before the concrete is poured and connected to pole grounding screw in the hand hole.
- The foundation hole shall be augered and class "S" (3,000 PSI) concrete poured against undisturbed compacted earth.

POLE	Lum. M.A. Length	POLE BASE
T.S. 4-4-1	4' thru 8'	Std. Base
T.S. 4-4-2	10' thru 20'	Std. Base
T.S. 4-4-3R	4' thru 8'	Slip-Away See T.S. 5-2
T.S. 4-4-3L	4' thru 8'	
T.S. 4-4-4R	10' thru 20'	
T.S. 4-4-4L	10' thru 20'	

DESIGN APPROVED
Barbi Brown
2/24/66

STATE OF ARIZONA
DEPARTMENT OF TRANSPORTATION
DIVISION OF HIGHWAYS
STANDARD DRAWINGS
TYPE "D" POLE AND MAST ARM

REV. 10-6-86
DRAWING NO.
T.S. 4-4