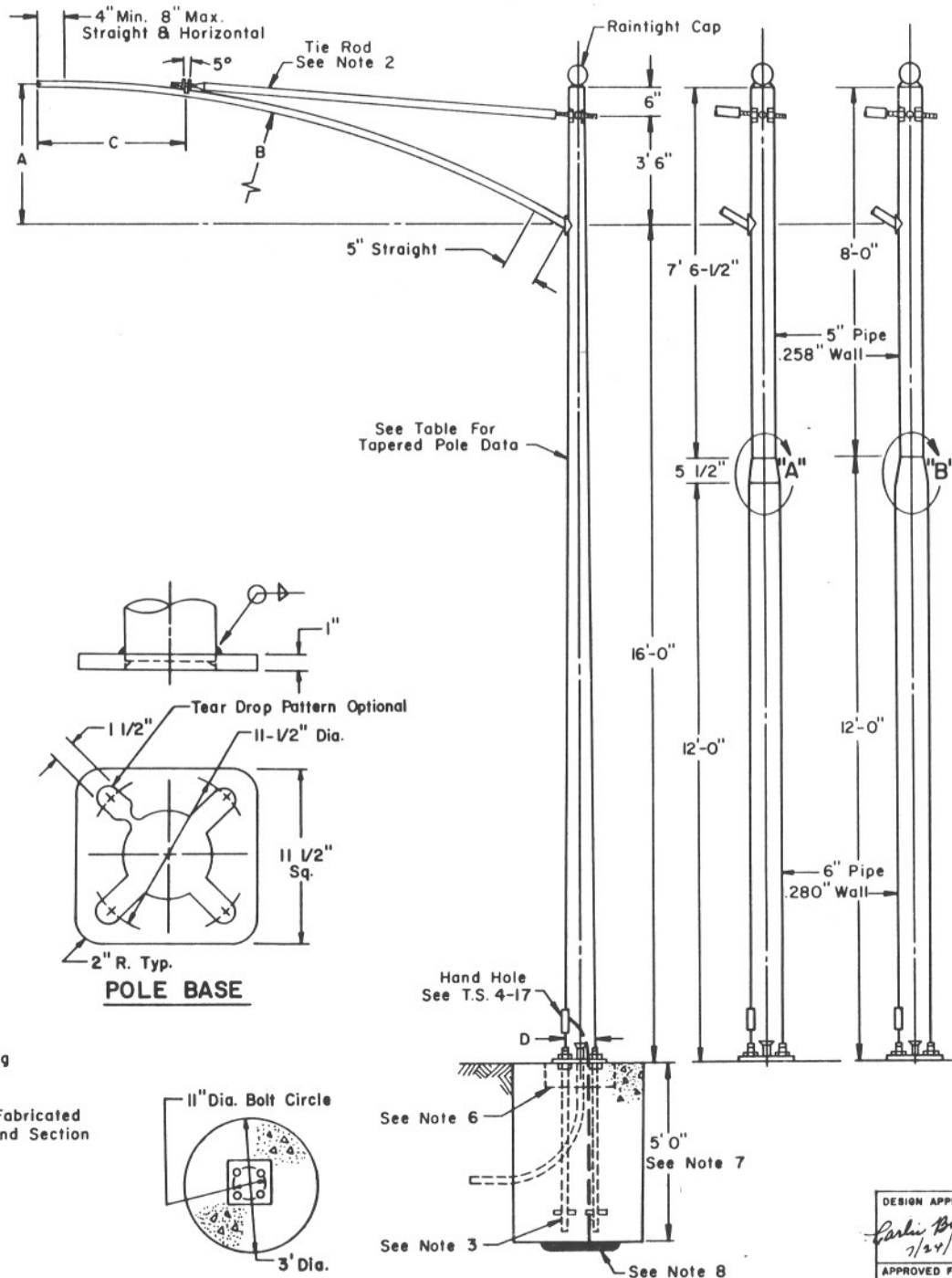
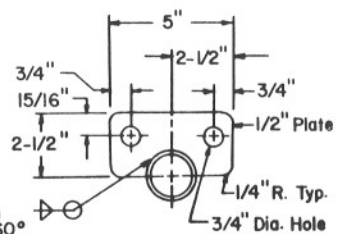


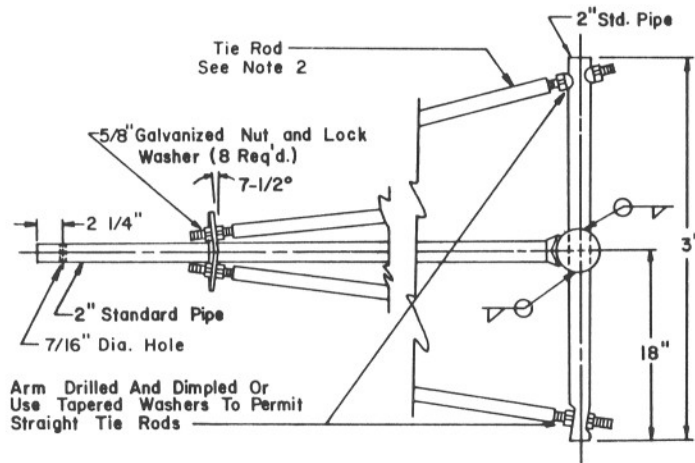
MAST ARM SHOE AND POLE PLATE

TIE ROD PLATE

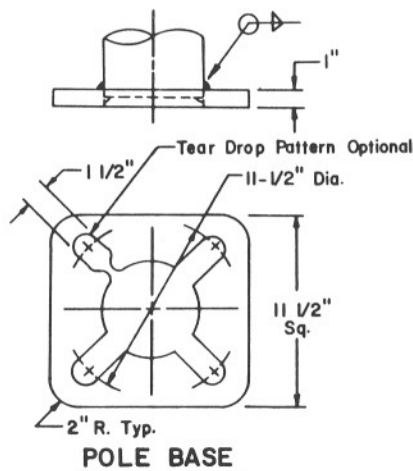


NOTES:

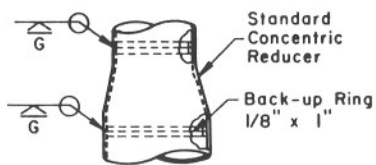
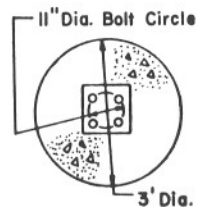
- All materials and construction shall conform to the requirements of the Specifications.
- The signal mast arm tie rods shall be 1" standard pipe for mast arms 10', 12', and 15' long. For mast arms 18' and longer, the tie rods shall be 1 1/4" standard pipe. Threaded Studs, 5/8" x 8" shall be welded to ends.
- See T.S. 4-20 detail "B" for anchor bolt details. Each anchor bolt shall have four hex nuts and two flat washers.
- Anchor bolts shall project 3" above foundation.
- Conduit shall project a minimum of 2" above foundation. Maximum projection shall be 4"
- Block out for leveling nuts. See specs for grout.
- Unstable soil may require deeper foundation. See Specifications.
- A 25' coil of No. 4 AWG bare copper conductor shall be installed before the concrete is poured and connected to pole grounding screw in the hand hole.
- The foundation hole shall be augered and class "S" (3,000 PSI) concrete poured against undisturbed compacted earth.



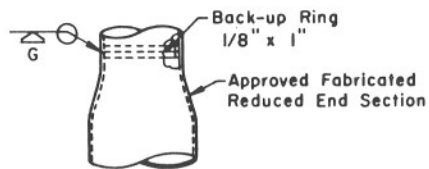
Arm Drilled And Dimpled Or Use Tapered Washers To Permit Straight Tie Rods



FOUNDATION PLAN



DETAIL "A"



DETAIL "B"

MAST ARM & TAPERED POLE DATA

DIMENSION	NOMINAL ARM LENGTH			
	12'	15'	18'	20'
A	4' 6"	5' 6"	5' 6"	5' 6"
B	16' 4 3/4"	22' 6"	31' 4 1/4"	38' 2"
C	4' 0"	5' 6 1/2"	6' 0"	6' 0"
D	6 5/8" 7"	6 5/8" 7"	6 1/2" Min.	6 1/2" Min.
Pole Ga.	10	11	10	11
			7	7

DESIGN APPROVED <i>Charlie Brown</i> 7/24/65	STATE OF ARIZONA DEPARTMENT OF TRANSPORTATION DIVISION OF HIGHWAYS STANDARD DRAWINGS	REV. 10-6-86
APPROVED FOR DISTRIBUTION <i>James A. McNeil</i>	TYPE "B" POLE AND MAST ARM	DRAWING NO. T.S. 4-2