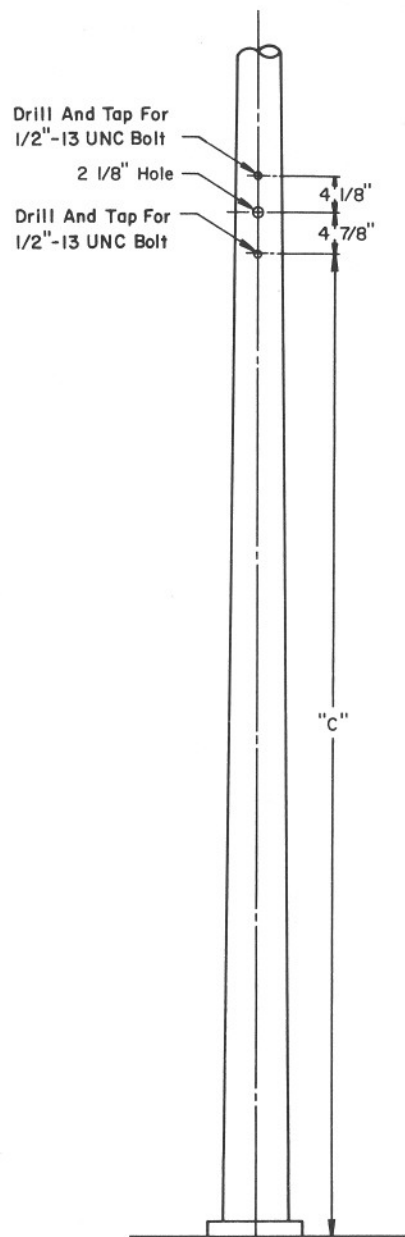
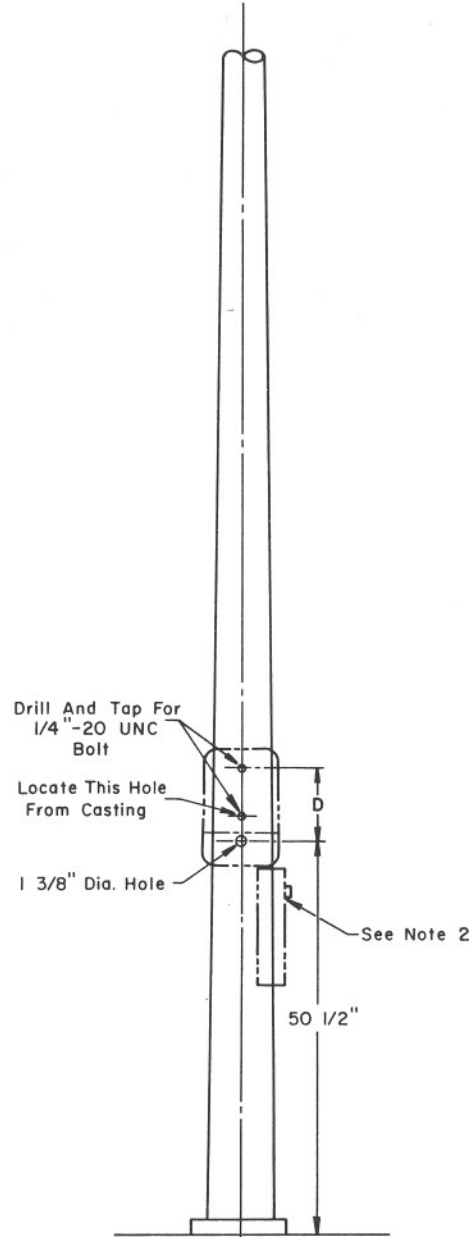


POLE PLATE
DRILLING DETAIL



SIDE MOUNT
DRILLING DETAIL



PUSH BUTTON
DRILLING DETAIL

NOTES:

1. Drilling of pole to be oriented according to pole layout, or as directed by A.D.O.T. engineer in the field.
2. When two pedestrian pushbuttons are mounted on a small diameter pole, the lower casting shall have the button at top.
3. Top mounting holes to be field drilled in order to allow for manufacturing variations.

Item	Dim. A	Dim. B	Dim. C
Pedestrian Signal Incandescent	See Note 3	87"	87"
Pedestrian Signal Neon	19 5/8"	87"	87"
Illuminated Message	39 1/4"	87"	
Standard Signal		125"	125"
C	34 3/4"	125"	125"
J	39"	125"	125"
F	48 1/2"	125"	125"
M	49"	125"	125"
Programmed Visibility Signal			
O-3	48"	125"	125"
O-4	61"	125"	125"

Item	Dim. D
Push Button	
Type I	11 3/8"
Type II	9 1/4"

DESIGN APPROVED <i>Charlie Brown</i> 7/24/85	STATE OF ARIZONA DEPARTMENT OF TRANSPORTATION DIVISION OF HIGHWAYS STANDARD DRAWINGS	REV. 10-6-86
APPROVED FOR DISTRIBUTION <i>James A. Miller</i>	POLE DRILLING DETAIL	DRAWING NO. T.S. 4-18