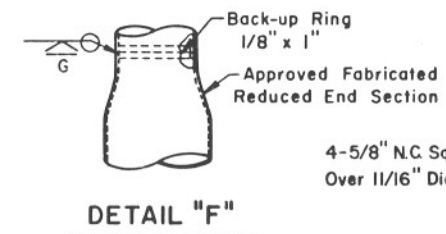
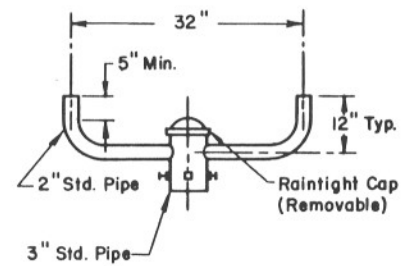
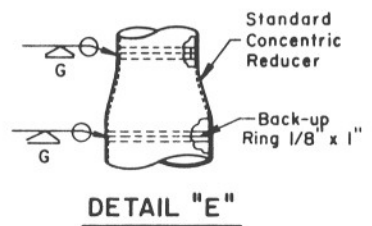
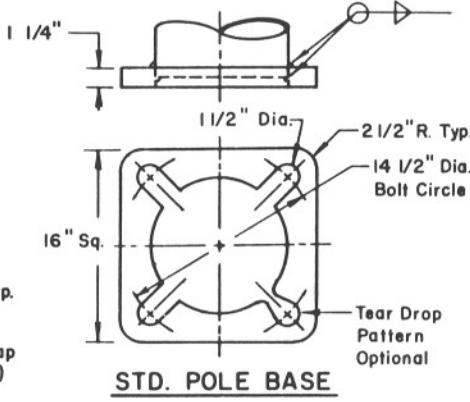
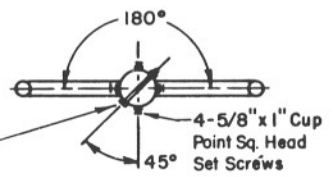
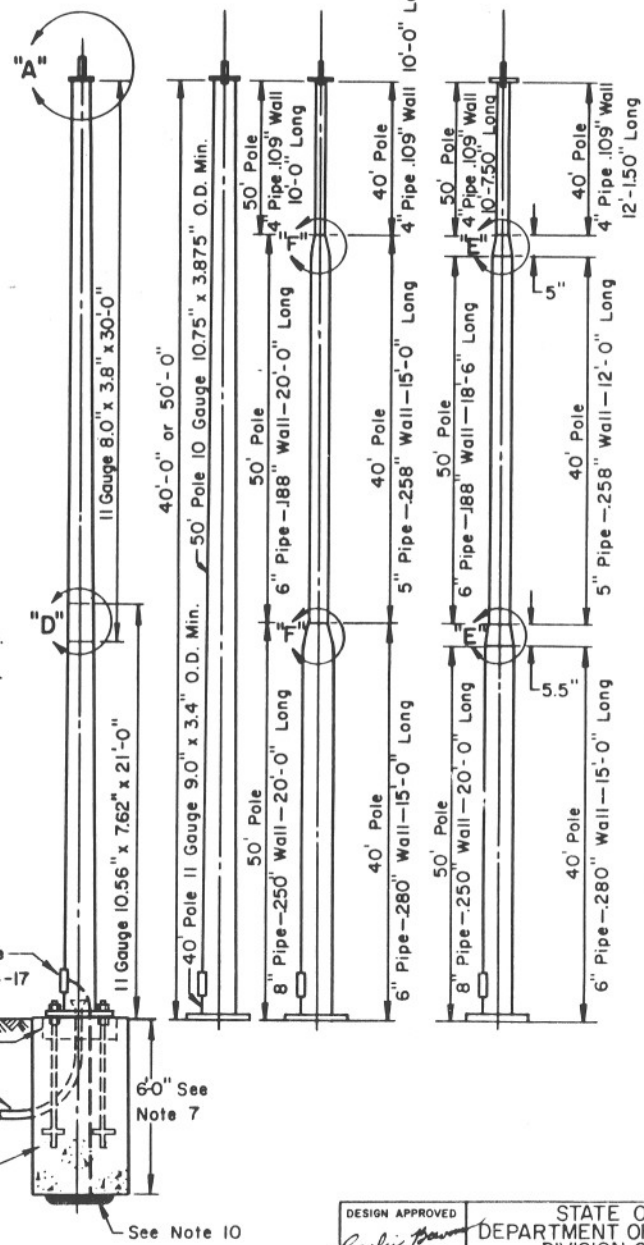
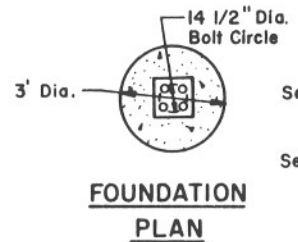
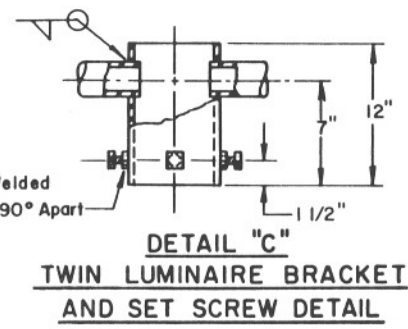


After Bracket Has Been Installed On Pole Tenon, Drill 3/8\"/>



4-5/8\"/>



- NOTES:**
1. All materials and construction shall conform to the requirements of the Specifications.
  2. The type "T" Pole shall be a 40' or 50' pole as per Pole Schedule on plans.
  3. See T.S. 4-20 detail "B" for anchor bolt details. Each anchor bolt shall have four hex nuts and two flat washers.
  4. Anchor bolts shall project 3" above the foundation.
  5. Conduit shall project a minimum of 2" above the foundation. Maximum projection shall be 4"
  6. Block out for leveling nuts. See specs. for grout.
  7. Unstable soil may require deeper foundations. See Specifications.
  8. Pole shall be installed with hand hole on traffic side.
  9. The pole, extension, and twin luminaire bracket shall be fully galvanized in accordance with ASTM A-123.
  10. A 25' coil of No. 4 AWG bare copper conductor shall be installed before the concrete is poured and connected to pole grounding screw in the hand hole.
  11. The foundation hole shall be augered and class "S" (3,000 PSI) concrete poured against undisturbed compacted earth.

DESIGN APPROVED <i>Carly...</i> 7/24/87	STATE OF ARIZONA DEPARTMENT OF TRANSPORTATION DIVISION OF HIGHWAYS STANDARD DRAWINGS	REV. 10-6-86
APPROVED FOR DISTRIBUTION <i>James G. ...</i>	<b>TYPE "T" POLE AND LUMINAIRE MOUNTING BRACKET</b>	DRAWING NO. <b>T.S. 4-15</b>