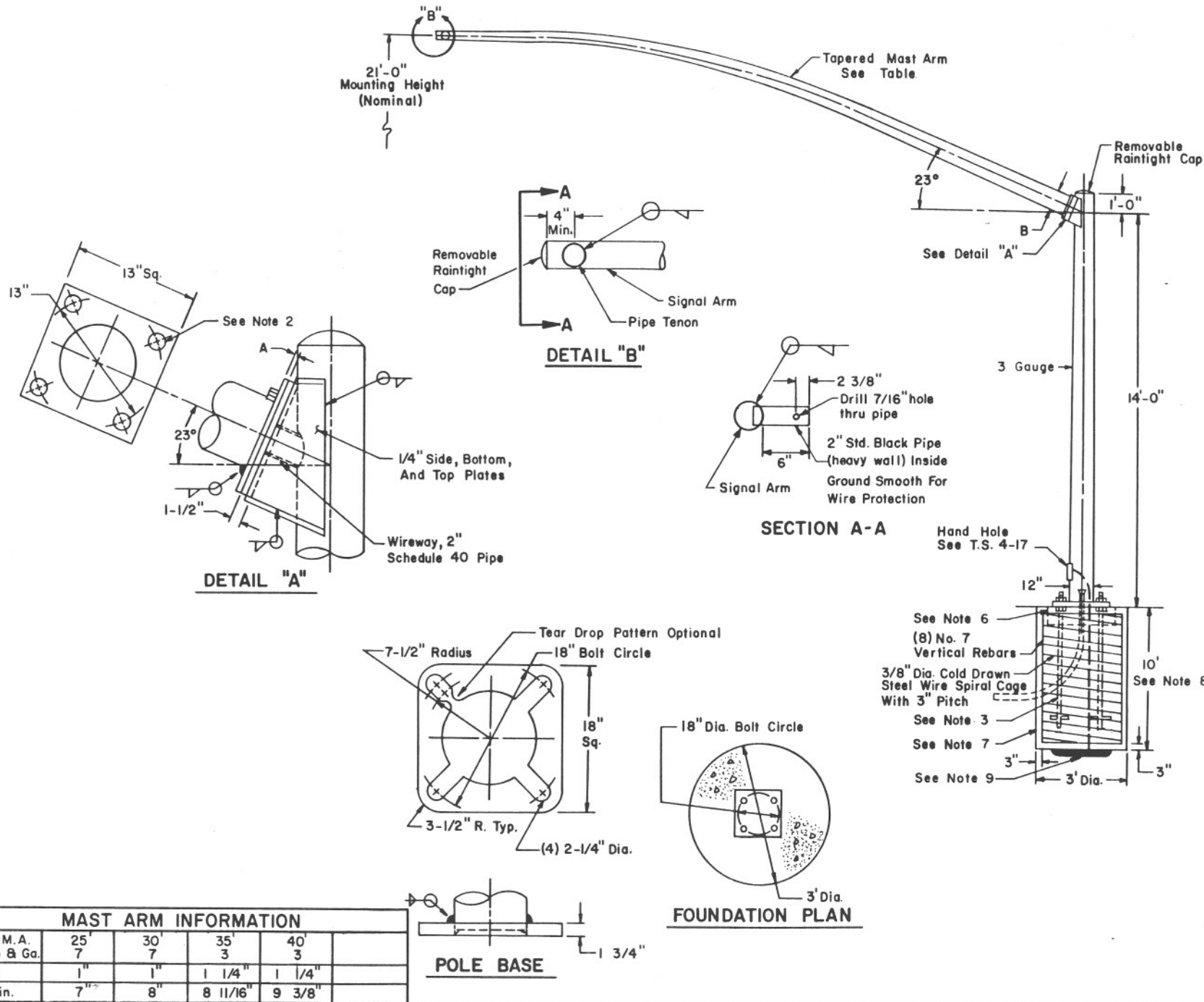


NOTES:

1. All materials and construction shall conform to the requirements of the Specifications.
2. Signal mast arms require four 1 1/4" - 7 high strength bolts ASTM A-325.
3. See T.S. 4-20 detail "B" for anchor bolt details. Each anchor bolt shall have four hex nuts and two flat washers.
4. Anchor bolts shall project 4 1/2" above the foundation.
5. Conduit shall project a minimum of 3" and a maximum of 5" above the foundation.
6. Block out for leveling nuts. See specs. for grout.
7. The foundation hole shall be augered and class "S" (3,000 PSI) concrete poured against undisturbed compacted earth.
8. Unstable soil may require deeper foundation. See Specifications.
9. A 25' coil of No. 4 AWG bare copper conductor shall be installed before the concrete is poured and connected to pole grounding screw in the hand hole.
10. For inboard tenon, when specified, see tenon detail on T.S. 9-1.



| | | |
|---|---|---------------------------------|
| DESIGN APPROVED <i>Carlin Brown</i> 7/24/65 | STATE OF ARIZONA DEPARTMENT OF TRANSPORTATION DIVISION OF HIGHWAYS STANDARD DRAWINGS | REV. 10-6-86 |
| APPROVED FOR DISTRIBUTION <i>[Signature]</i> | TYPE "J" POLE AND MAST ARM | DRAWING NO. T.S. 4-10 |