

11 Ga. Tapered Pole
See Tapered Pole Dia.
Table

See T.S. 4-17 For
Hand Hole Details

Conduit End Bell
See Note 5

See Note 4

See Note 2

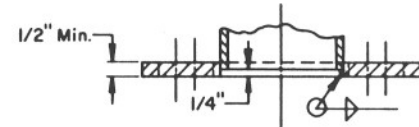
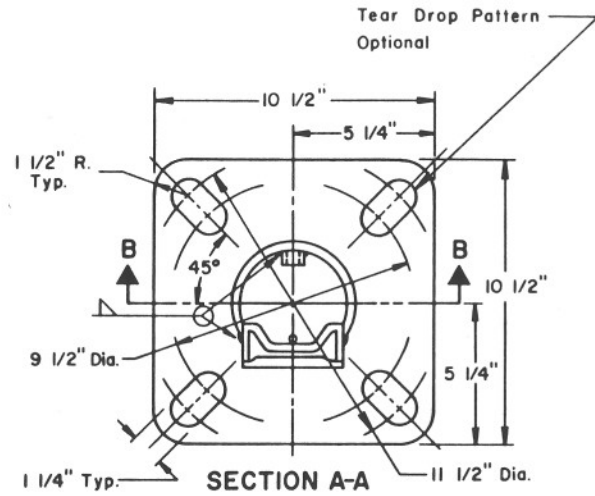
See Note 7

8', 10', & 12'
See Plans

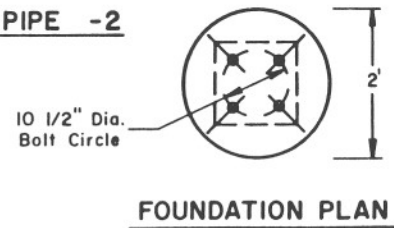
4" Std. Pipe
Wall -.237"

STANDARD PIPE -2

TAPERED -1



BASE PLATE DETAIL



TAPERED POLE DIA. TABLE

HEIGHT	BASE	TOP
8'-0"	5.2"	4.1"
10'-0"	5.5"	4.1"
12'-0"	5.78"	4.1"

NOTES:

1. All materials and construction shall conform to the requirements of the Specifications.
2. See T.S. 4-20 detail "B" for anchor bolt details, Each anchor bolt shall have four hex nuts and two flat washers.
3. Anchor bolts shall project 2 3/4" above the foundation.
4. Block out for leveling nuts. See specs. for grout.
5. Conduit shall project a minimum of 2" above the foundation. Maximum projection shall be 4". See plans for conduit size and location.
6. Unstable soil may require deeper foundation. See Specifications.
7. A 25' coil of No. 4 AWG bare copper conductor shall be installed before the concrete is poured and connected to pole grounding screw in the hand hole.
8. The foundation hole shall be augered and class "S" (3,000 PSI) concrete poured against undisturbed compacted earth.

DESIGN APPROVED <i>Carly Brown</i> 7/24/61	STATE OF ARIZONA DEPARTMENT OF TRANSPORTATION DIVISION OF HIGHWAYS STANDARD DRAWINGS	REV. 10-6-86
APPROVED FOR DISTRIBUTION <i>James D. ...</i>	TYPE "A" POLE	DRAWING NO. T.S. 4-1