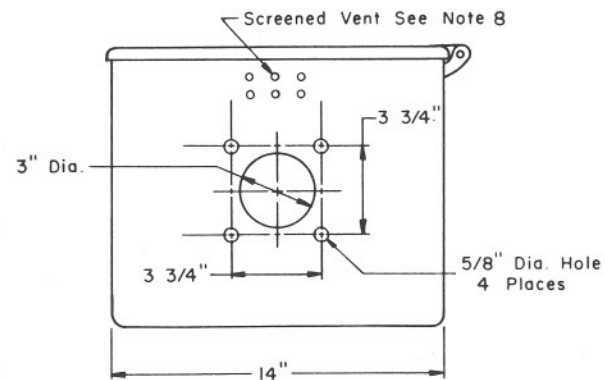
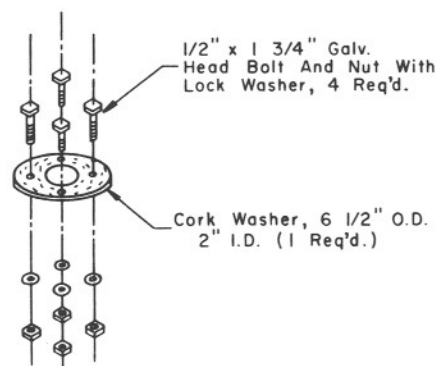


NOTES:

1. For construction requirements see Specifications.
2. For Cabinet Lock Details, see T.S. 3-10.
3. For painting see Specifications.
4. Material, cast aluminum or 14 gauge steel.
5. The door shall be raintight and dustproof.
6. Location of Base Mounting Holes shall correspond with Type I Pedestal Cabinet, see T.S. 3-8.
7. Optional Tee Vent or Cabinet Fan, see Special Provisions.
8. For air vent frame and hole pattern, see T.S. 3-1, detail "E". Locate approximately as shown.



DESIGN APPROVED <i>Charles Brown</i> 7/24/65	STATE OF ARIZONA DEPARTMENT OF TRANSPORTATION DIVISION OF HIGHWAYS STANDARD DRAWINGS	REV.
APPROVED FOR DISTRIBUTION	TYPE I CONTROL CABINET	DRAWING NO. T.S. 3-9