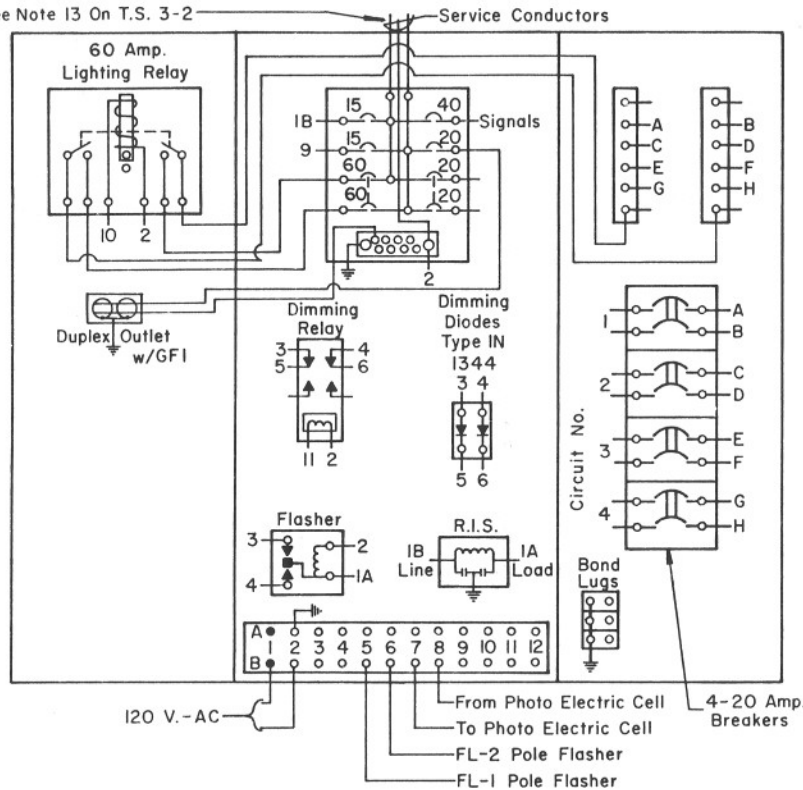
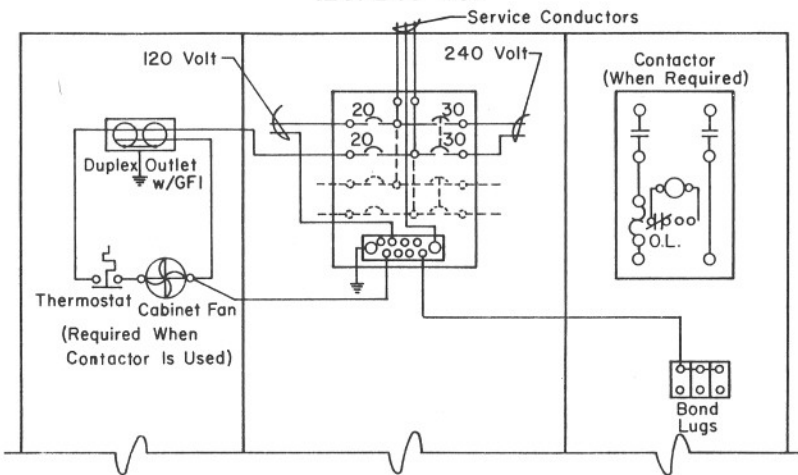


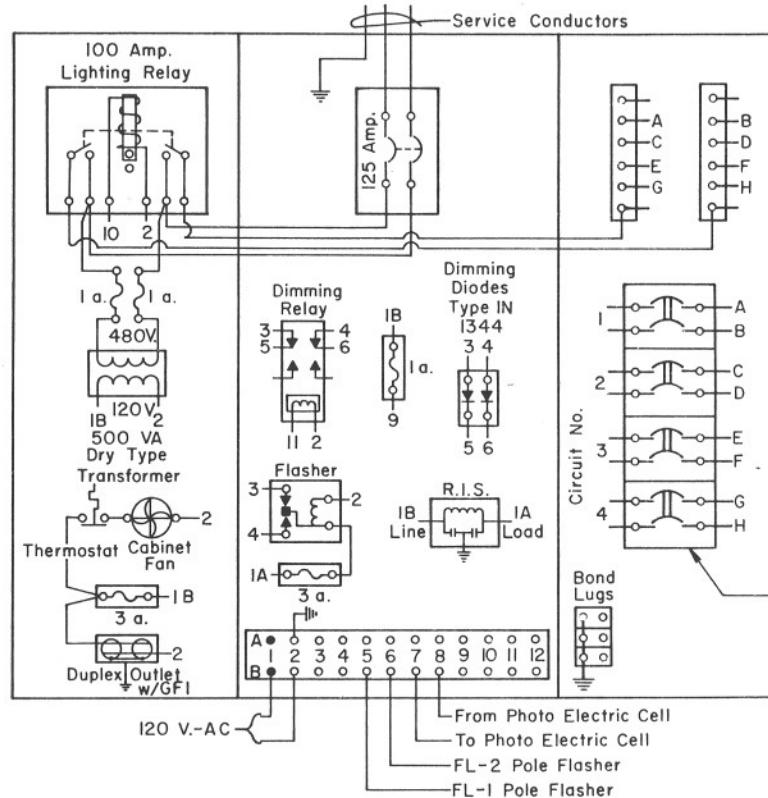
See Note 13 On T.S. 3-2



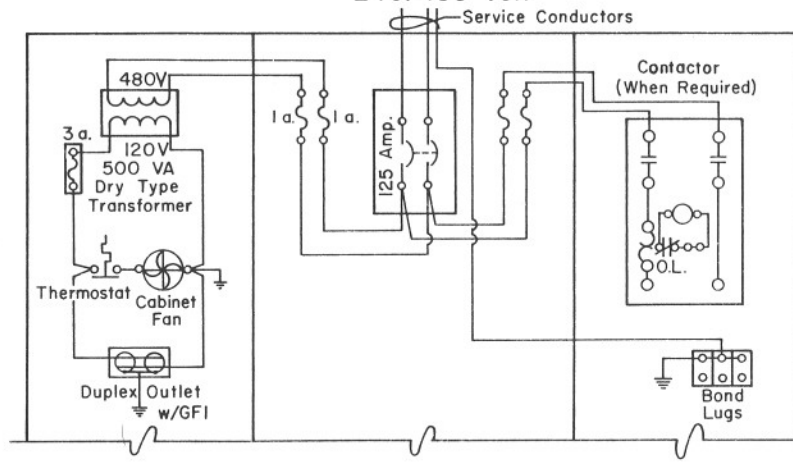
CIRCUIT DETAIL-1
120/240 Volt



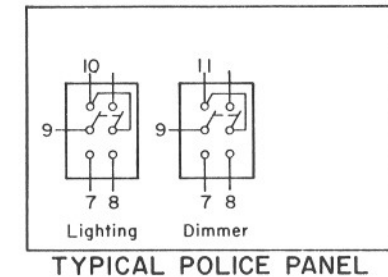
CIRCUIT DETAIL-3
120/240 Volt



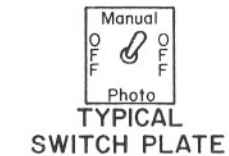
CIRCUIT DETAIL-2
240/480 Volt



CIRCUIT DETAIL-4
240/480 Volt



TYPICAL POLICE PANEL



TYPICAL SWITCH PLATE

NOTES:

1. All Service Conductors, Service Disconnects & Multi Breaker Service Panels shall be 125 amp capacity.
2. All components on 240/480 volt circuits shall be rated for 600 volts operation. All other components shall be rated for 250 volt operation.
3. Typical component installations are shown. Omit individual components not required but leave space for future component installations.
4. See TS.3-15 for details on Pan and Jack Mounted Components.
5. Lighting relay and circuit breakers shall be rated as shown unless otherwise specified in Special Provisions.
6. All components on this sheet shall be interior mounted.
7. The contractor shall consult the utility co. concerned, to establish and install the proper ampere interruption capacity breakers for each individual installation.
8. All live electrical components shall be protected by a dead-front panel which conforms to the NEC, see specifications.

DESIGN APPROVED <i>Carlin Brown</i> 7/24/65	STATE OF ARIZONA DEPARTMENT OF TRANSPORTATION DIVISION OF HIGHWAYS STANDARD DRAWINGS	REV. 10-6-86
APPROVED FOR DISTRIBUTION <i>[Signature]</i>	TYPE II LOAD CENTER CABINET CIRCUIT DETAILS	DRAWING NO. T.S. 3-3