

POLICE PANEL

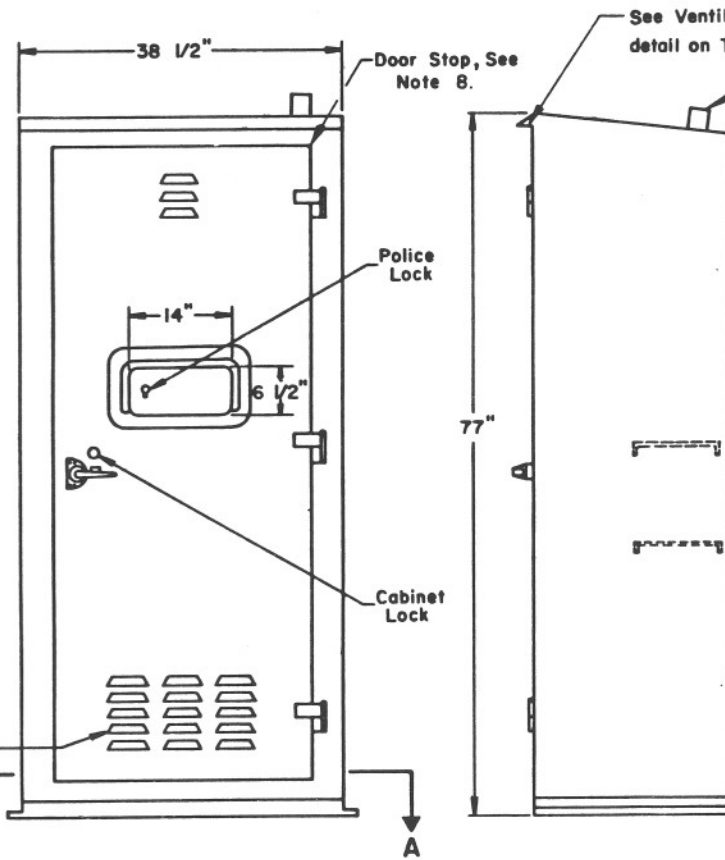


Photo Electric Cell
Per T.S.15-5 Mount "A"

See Ventilation
detail on T.S.3-12

NOTES:

1. For construction requirements see Specifications.
2. For Cabinet Lock Details, see T.S. 3-12.
3. For painting, see Specifications.
4. Material, 10 gauge aluminum or 14 gauge steel.
5. The doors shall be raintight and dustproof.
6. For size and location of anchor bolts see Foundation Detail T.S. 2-3. Anchor bolts shall be furnished with cabinet.
7. Shelves shall be removable and adjustable for vertical spacing. Shelves shall be fabricated from sheet steel.
8. For Door Stop Detail, see T.S. 3-12.
9. Install a 20 Amp., 120 Volt coil, N/O, 2-pole contactor.
10. Install a manual-off-photo lighting control switch as shown on T.S. 3-5.

DESIGN APPROVED <i>[Signature]</i> 11/22/87	STATE OF ARIZONA DEPARTMENT OF TRANSPORTATION DIVISION OF HIGHWAYS STANDARD DRAWINGS	REV 11-23-87
APPROVED FOR DISTRIBUTION <i>[Signature]</i>	TYPE V CONTROL CABINET	DRAWING NO. T.S.3-13