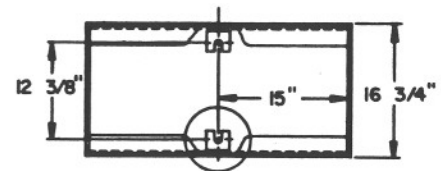
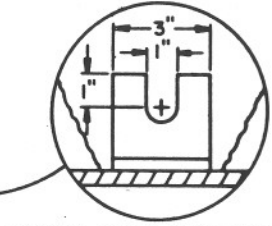


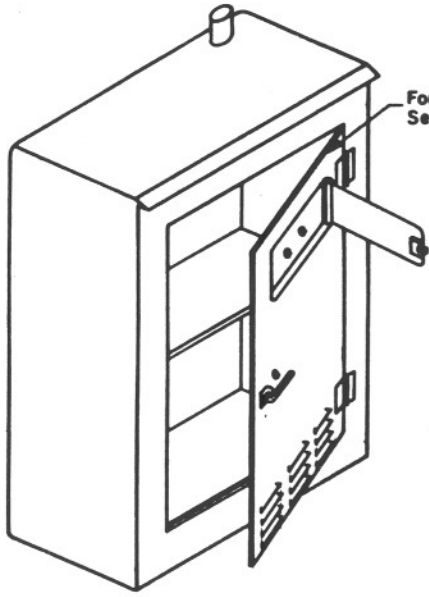
POLICE PANEL



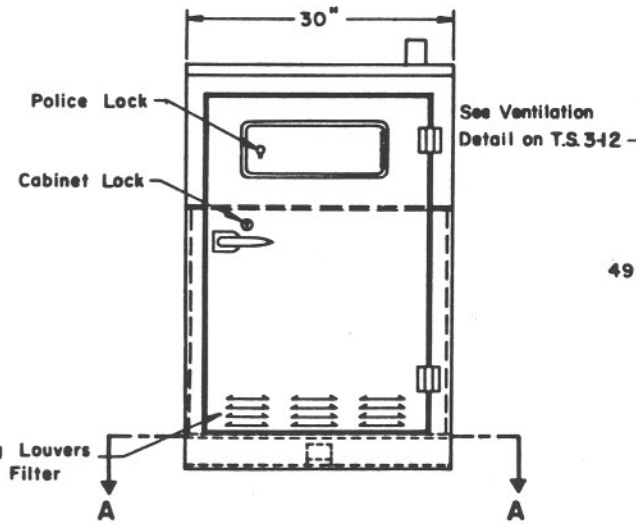
SECTION A-A



ANCHOR BOLT SLOT DETAIL (TYPICAL)



For Door Stop  
See T.S. 3-12



Filtered Ventilating Louvers  
2" x 20" x 1" Air Filter

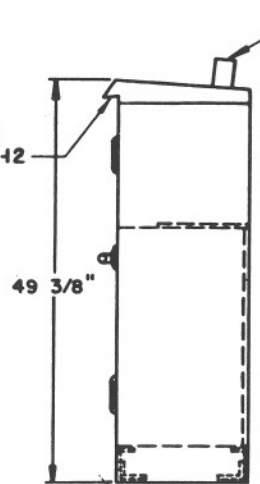


Photo Electric Cell  
Per T.S. 15-5 Mount "A"

NOTES:

1. For construction requirements see Specifications.
2. For Cabinet Lock Details, see T.S. 3-10.
3. For painting, see Specifications
4. Material, 10 gauge aluminum or 14 gauge steel.
5. The door shall be raintight and dustproof.
6. This cabinet shall be furnished with two 1/2" x 1 1/4" galvanized bolts, with two flat washers and one lock washer per bolt.
7. For concrete foundation details see T.S. 2-2.
8. Shelves shall be removable and adjustable for vertical spacing. Shelves shall be fabricated from sheet steel.
9. Install a 20 Amp., 120 Volt coil, N/O, 2-pole contactor.
10. Install a manual-off-photo lighting control switch as shown on T.S. 3-5.

DESIGN APPROVED <i>Robert H. Hatten</i> 11/25/87	STATE OF ARIZONA DEPARTMENT OF TRANSPORTATION DIVISION OF HIGHWAYS STANDARD DRAWINGS	REV. 11-23-87
APPROVED FOR DISTRIBUTION <i>James A. [Signature]</i>	TYPE III CONTROL CABINET	DRAWING NO. T.S.3-11