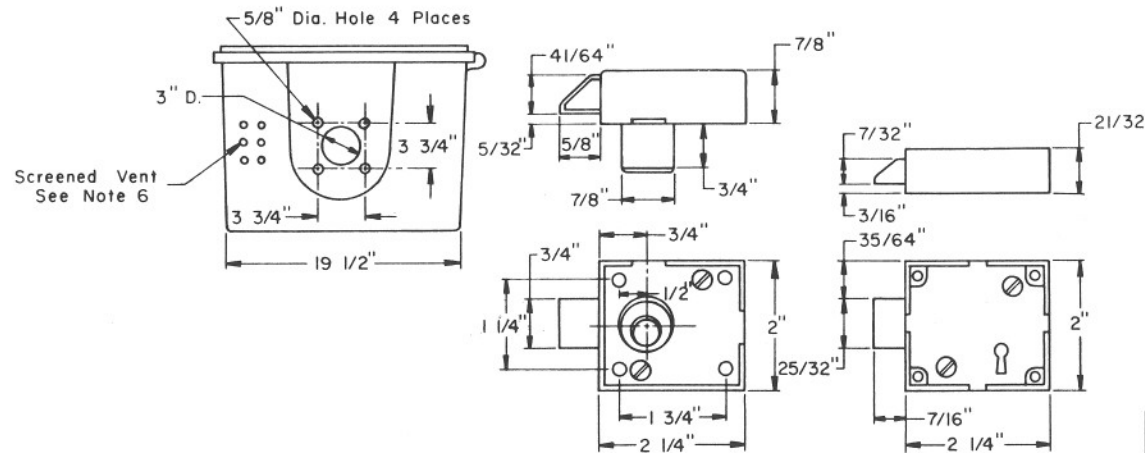
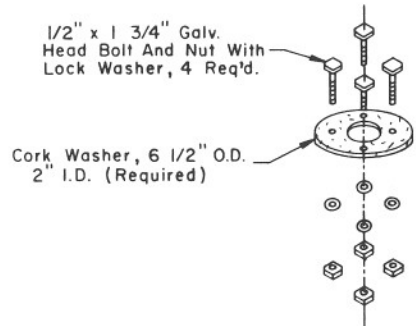


POLICE PANEL

NOTES:

1. For construction requirements, see Specifications.
2. Material, cast aluminum or 14 ga. steel.
3. The door shall be raintight and dustproof.
4. Location of Base Mounting Holes shall correspond with Type I Pedestal Cabinet. See T.S. 3-8.
5. For painting see Specifications.
6. For air vent frame and hole pattern, see T.S. 3-1, Detail "E". Locate approximately as shown.



CABINET LOCK

POLICE LOCK

|   |   |                          |
|---|---|--------------------------|
| DESIGN APPROVED<br><i>Charles Bowman</i><br>7/24/65 | STATE OF ARIZONA<br>DEPARTMENT OF TRANSPORTATION<br>DIVISION OF HIGHWAYS<br>STANDARD DRAWINGS | REV.                     |
| APPROVED FOR DISTRIBUTION<br><i>[Signature]</i>     | TYPE II<br>CONTROL CABINET  | DRAWING NO.<br>T.S. 3-10 |