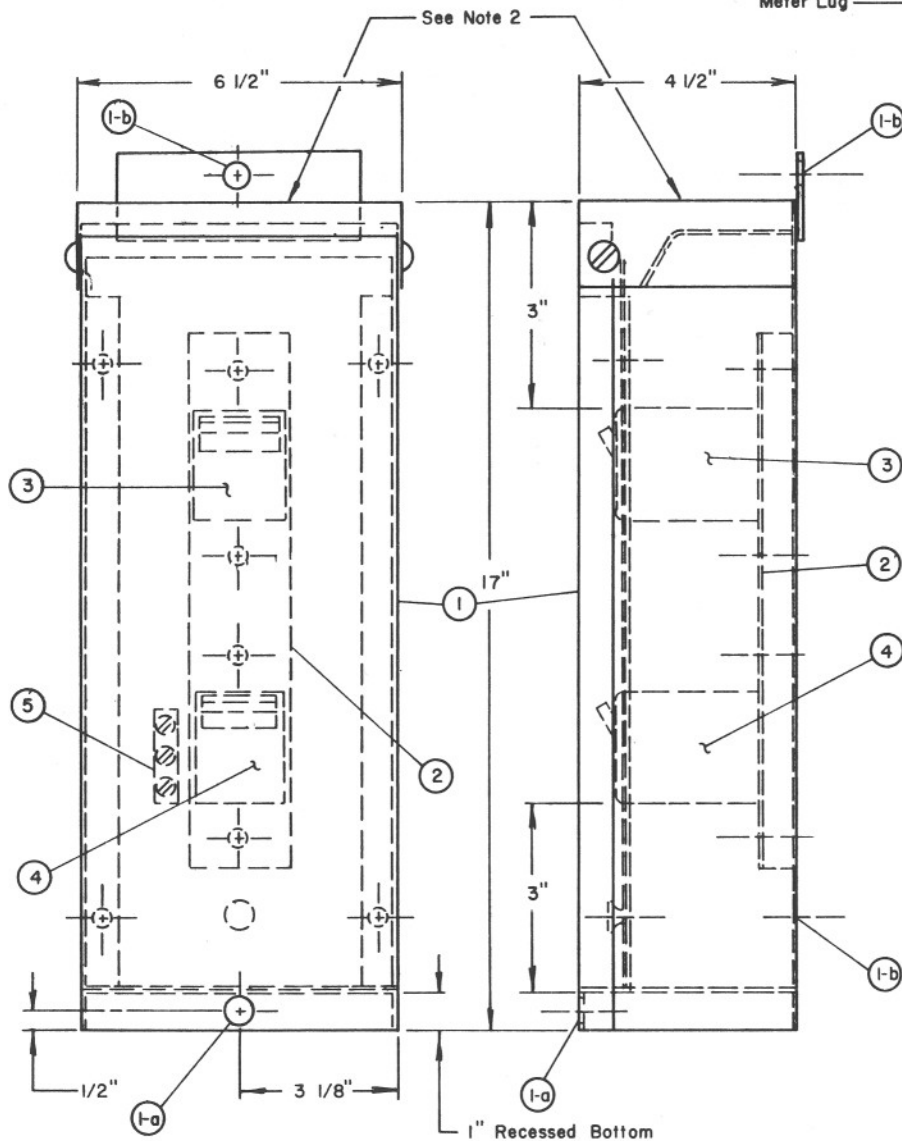
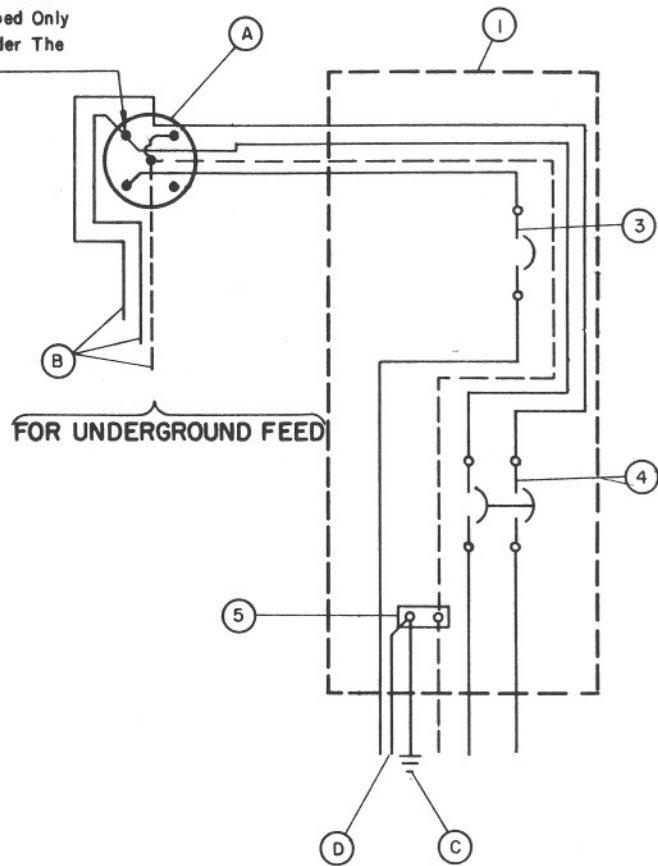


Install One Continuous Conductor
With The Insulation Stripped Only
In The Area Installed Under The
Meter Lug



FRONT VIEW

SIDE VIEW



TYPICAL METER LOOP WIRING DIAGRAM

LIST OF MATERIALS

Item	Qty.	Description
1	1	N.E.M.A. 3 Hinge Cover Enclosure, 16 Gauge Steel, Dead Front With Gray Enamel Finish
1-a		Drill 3/8" Dia. Hole Thru Hinge Cover & Recessed Bottom For Padlock
1-b		Drill 3/8" Dia. Hole Thru Back of Enclosure For Mounting Bolt Hole.
2	1	Mounting Pan
3	1	Main Disconnect Breaker, 60 Amp, 1 Pole, (Unless Otherwise Specified) See Note 1
4	1	Main Lighting Disconnect Breaker, 20 Amp, 2 Pole (Unless Otherwise Specified) See Note 1
5	1	Neutral Buss, For # 4 B.C.

WIRING DIAGRAM NOTES

- A. Meter Base Can, 100 Amp.
- B. 120/240 V. A.C., Single Phase, 3 wire service, two #6 black THW., and one #6 white T.H.W.
- C. Bare copper equipment ground (ga. required)
- D. Bare copper conductor to ground rod (ga. required)

GENERAL NOTES:

- 1. Type EQ-B or THQB, 240 V. A.C., 2 pole breakers with 10,000 Amp I.C. rating.
- 2. Top mounted, raintight hub shall be installed if necessary.
- 3. See plans for installation details.

DESIGN APPROVED <i>Barbie Brown</i> 7/24/85	STATE OF ARIZONA DEPARTMENT OF TRANSPORTATION DIVISION OF HIGHWAYS STANDARD DRAWINGS	REV.
APPROVED FOR DISTRIBUTION	SPLIT CIRCUIT BREAKER MAIN DISCONNECT	DRAWING NO. T.S. 15-7