

10 or 11 Ga. tapered pole or 4" std. pipe

1 1/2" pipe bushings welded into pole to accommodate transformer and circuit breaker.

See T.S. 4-17 for hand hole detail

Conduit end bell see Note 6

5/8" Dia. x 10' 0" copper ground rod with clamp

10 1/2" Dia. bolt circle

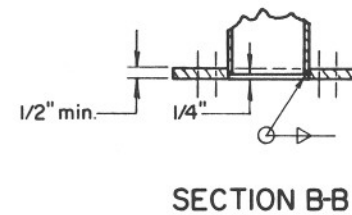
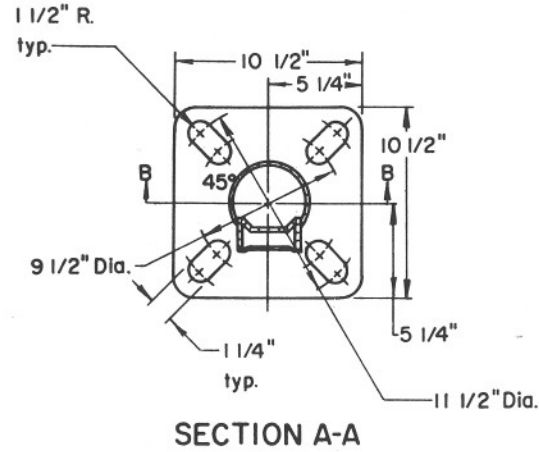
Removable raintight cap

NEMA 3 R 480 V. to 120/240 V. 1.5 KVA dry type transformer

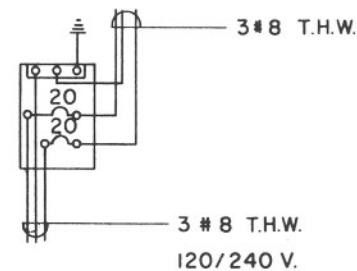
Conduit as required

NEMA 3R breaker panel 120 V., 2-20 Amp breakers, door shall be padlockable

FOUNDATION PLAN



SECTION B-B



BREAKER PANEL CIRCUIT DETAIL

NOTES:

1. All materials and construction shall conform to the requirements of the Specifications.
2. A 25' coil of No. 4 AWG bare copper conductor shall be installed before the concrete is poured, and connected to pole grounding screw in the handhole.
3. Anchor bolts shall be 1" x 18" x 4" with two hex nuts and two flat washers per bolt.
4. Anchor bolts shall project 2 3/4" above the foundation.
5. Block out for leveling nuts.
6. Conduit shall project a minimum 2" above the foundation. Maximum projection shall be 4". See plans for conduit size and location.
7. Unstable soil may require a deeper foundation. See the Specifications.

DESIGN APPROVED <i>Barley Brown</i> 7/21/85	STATE OF ARIZONA DEPARTMENT OF TRANSPORTATION DIVISION OF HIGHWAYS STANDARD DRAWINGS	REV.
APPROVED FOR DISTRIBUTION <i>A. J. [Signature]</i>	POLE MOUNTED BREAKER PANEL & TRANSFORMER	DRAWING NO. T.S. 15-6