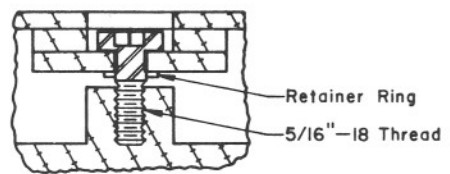
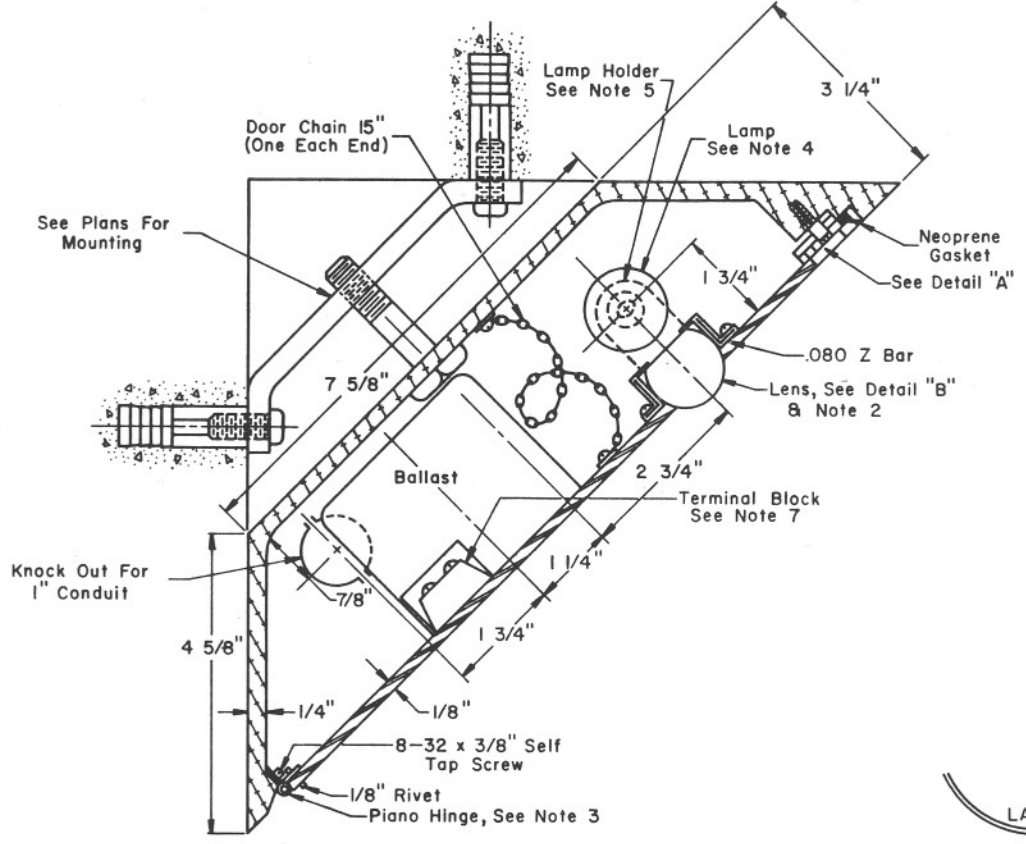


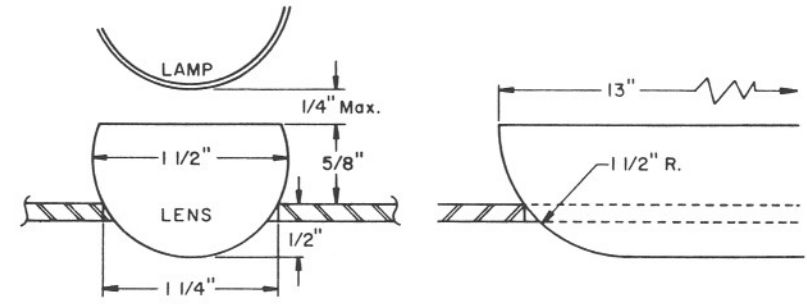
DETAIL "A"



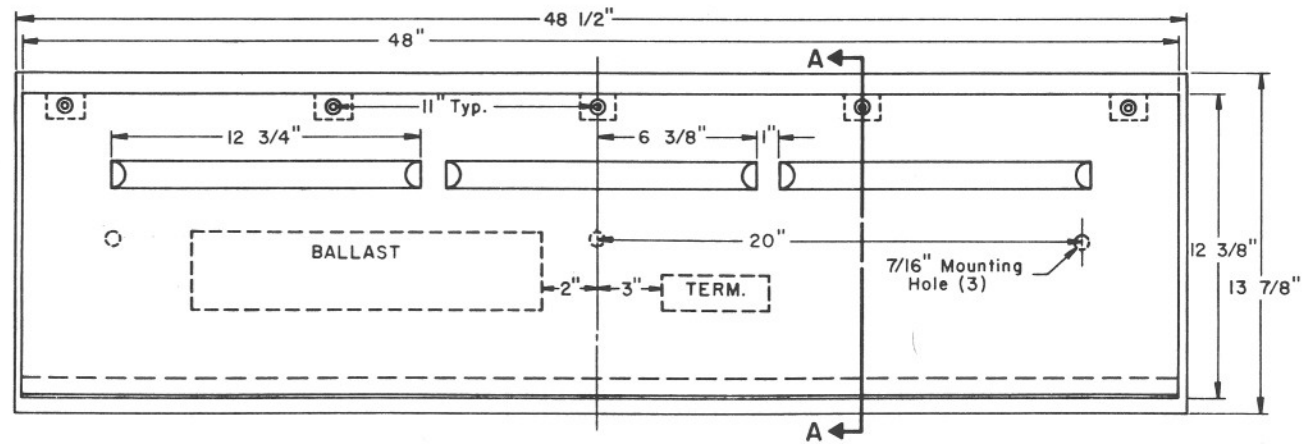
SECTION B-B



SECTION A-A



DETAIL "B"
(See Note 5)



TOP VIEW

NOTES:

1. Fixture shall be 1/4" cast aluminum & the door shall be 1/8" aluminum Type 6061-T-6.
2. Lens shall be 1 1/2" Methyl Methacrylate, fire glazed to produce a clear finish.
3. Hinge will be a piano Type 1100 aluminum alloy.
4. See Special Provisions for lamp type.
5. Use 1500 M.A. Rapid Start Lamp Holders U.L. approved.
6. Use 110/120 V. 60 cycle outdoor type ballast rated at 1500 M.A. U.L. approved.
7. Use barrier type terminal block rated at 15 Amp. 600 V. with integral type marking strips.
8. Each fixture shall be internally fused. The incoming power shall be fused for the required amperage during normal lamp and ballast operation.

DESIGN APPROVED <i>Richard Brown</i> 7/24/85	STATE OF ARIZONA DEPARTMENT OF TRANSPORTATION DIVISION OF HIGHWAYS STANDARD DRAWINGS	REV.
APPROVED FOR DISTRIBUTION <i>P. J. [Signature]</i>	PEDESTRIAN TUNNEL LIGHT FIXTURE	DRAWING NO. T.S. 14-1