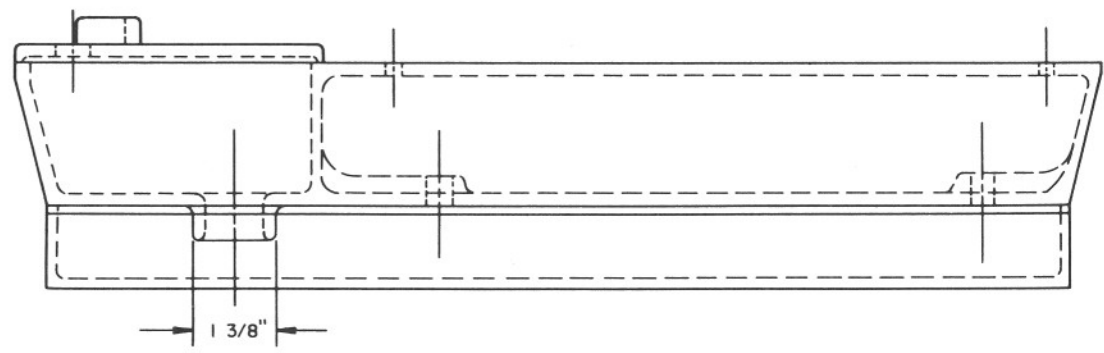


NOTES:

1. The Type I push button shall be used unless otherwise specified.
2. Material shall be Aluminum Alloy.
3. Diameter of casting back to correspond with pole diameter.
4. Push button shall contain a momentary contact switch with normal open contact.
5. Pole installation bolts, sign screws and washers shall be furnished with unit.
6. Push button cover shall be rain and dust proof.
7. Paint as per Specifications.
8. For pedestrian sign detail see T.S. 11-3 or T.S. 11-4.



DESIGN APPROVED <i>Charlie Brown</i> 7/24/85	STATE OF ARIZONA DEPARTMENT OF TRANSPORTATION DIVISION OF HIGHWAYS STANDARD DRAWINGS	REV.
APPROVED FOR DISTRIBUTION <i>[Signature]</i>	TYPE I PEDESTRIAN PUSH BUTTON	DRAWING NO. T.S. 11-1