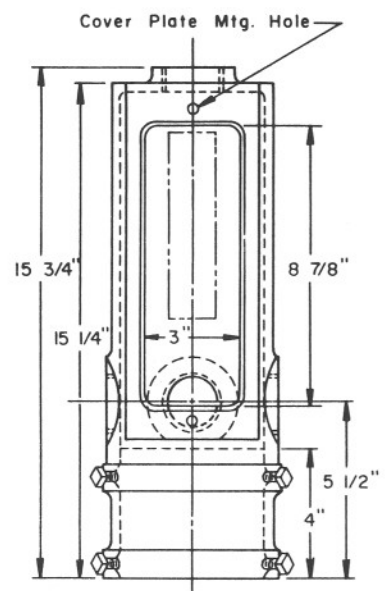
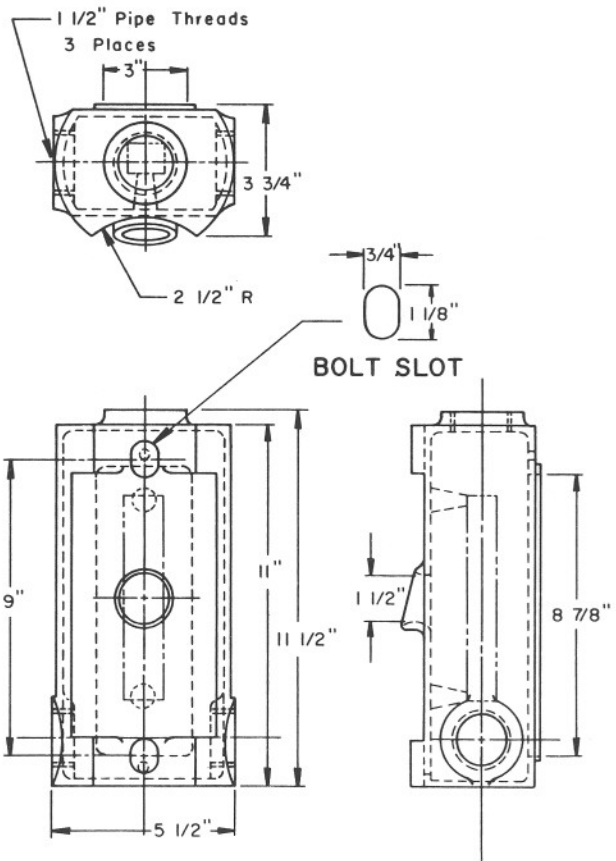
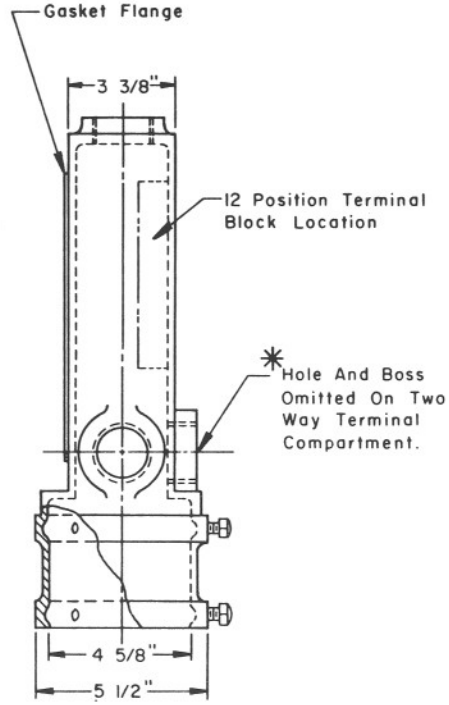


COVER PLATE (Typ.)



POLE TOP TERMINAL COMPARTMENT  
\* 2 Way (-2)  
3 Way (-3)



SIDE MOUNTED TERMINAL COMPARTMENT  
(-1)

NOTES:

1. Cover plate shall be attached with 2 machine screws, 10-32 x 3/4".
2. Material—see the Specifications and/or Special Provisions.
3. Paint finish to comply with Specification.

DESIGN APPROVED <i>Charlie Brown</i> 7/24/85	STATE OF ARIZONA DEPARTMENT OF TRANSPORTATION DIVISION OF HIGHWAYS STANDARD DRAWINGS	REV.
APPROVED FOR DISTRIBUTION	TERMINAL COMPARTMENT, SIDE MOUNTED AND POLE TOP MOUNTED	DRAWING NO. T.S. 10-4