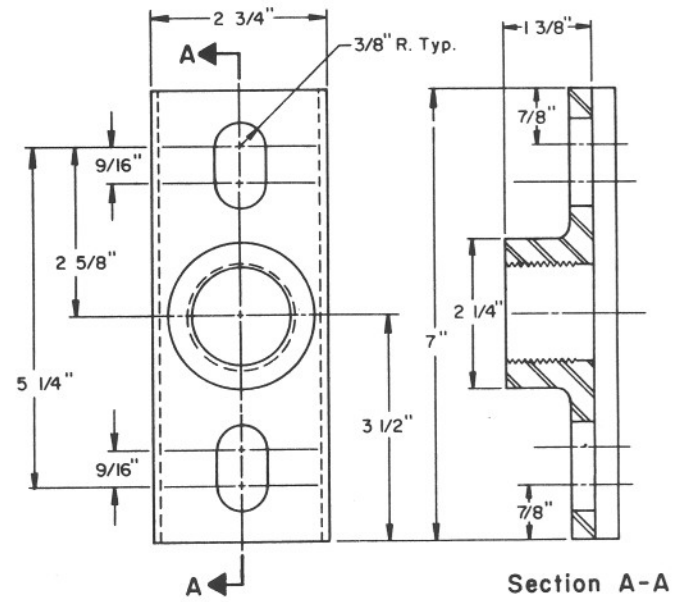


POLE PLATE WITH WIRE GUIDE
(- 1)



POLE PLATE
(- 2)

NOTES:

1. Material—High Strength Bronze.
2. Paint finish to comply with Specifications.

| | | |
|--|---|--------------------------|
| DESIGN APPROVED <i>Carli Brown</i> 7/24/85 | STATE OF ARIZONA DEPARTMENT OF TRANSPORTATION DIVISION OF HIGHWAYS STANDARD DRAWINGS | REV. |
| APPROVED FOR DISTRIBUTION <i>P. E. Hall</i> | POLE PLATE DETAIL | DRAWING NO. T.S. 10-3 |