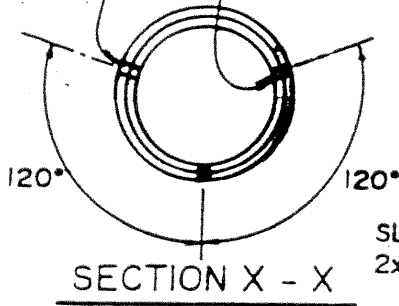


SLOT UPPER CONE
(TYP 3 PLCS)

THREAD - 5/8"
BOLTS
(TYP 3 PLCS)

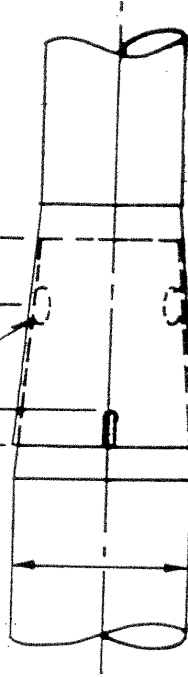


SLOT
2x 3/4"

X

4"

X



D (NOMINAL)	L (MINIMUM)
10"	16.25"
12"	19.25"
16"	24.00"
18"	27.00"

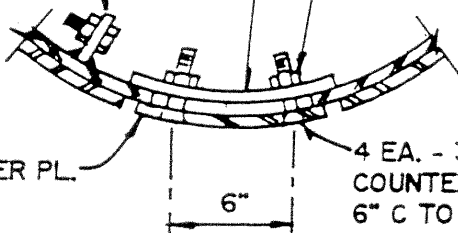
APPROVED	<input checked="" type="checkbox"/>
APPROVED AS NOTED	<input type="checkbox"/>
REVISE AND RESUBMIT	<input type="checkbox"/>
DISAPPROVED	<input type="checkbox"/>
<i>A. Wojakiewicz</i>	
DATE	Jan. 30, 1998
<p>REVIEW IS ONLY FOR GENERAL CONFORMITY TO THE CONTRACT DRAWINGS AND SPECIFICATIONS, AND SHALL NOT RELIEVE THE CONTRACTOR OF HIS ENTIRE RESPONSIBILITY UNDER THE CONTRACT INCLUDING, AMONG OTHER THINGS, DIMENSIONS TO BE CONFIRMED AND CORRELATED AT THE JOB SITE, AND INFORMATION ON THAT PERTAINS TO THE FABRICATION PROCESSES OR TO TECHNIQUES OF CONSTRUCTION.</p>	
<p>PARSONS, ERINCKERHOFF QUADE & DOUGLAS, INC. 1501 W. FOUNTAINHEAD PKWY. SUITE 400 TEMPE, ARIZONA 85282</p>	

B SLIP JOINT

PL. 1/4" x 2" x 2"
W/ 1/2" BOLT
(FOR GROUNDING)

2 EA. 1/4" x 1 1/2" x 12"
BARS

4 EA. 3/8" NUTS
WELDED TO BAR



3/16" COVER PL.

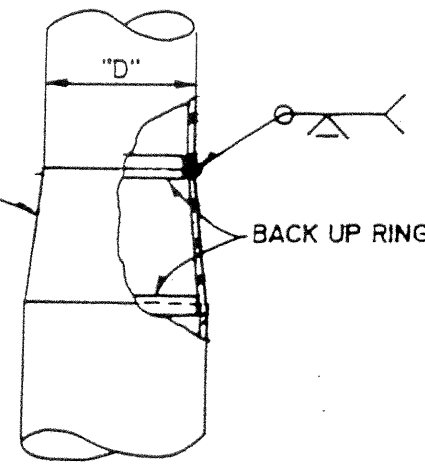
6"

4 EA. - 3/8" x 3"
COUNTERSUNK BOLTS ■
6" C TO C HORIZ.
12" C TO C VERT.

I COVER PLATE DETAIL

CONCENTRIC
WELD
REDUCER

BACK UP RING



A WELDED JOINT

CT HM-150-36 sheet 2 of 2

CEM - TEC

SHEET

HI-MAST POLE

2

DESIGNER
R.A.Y.

SUPERVISOR
H.P.E.

FINAL INSPECTION

