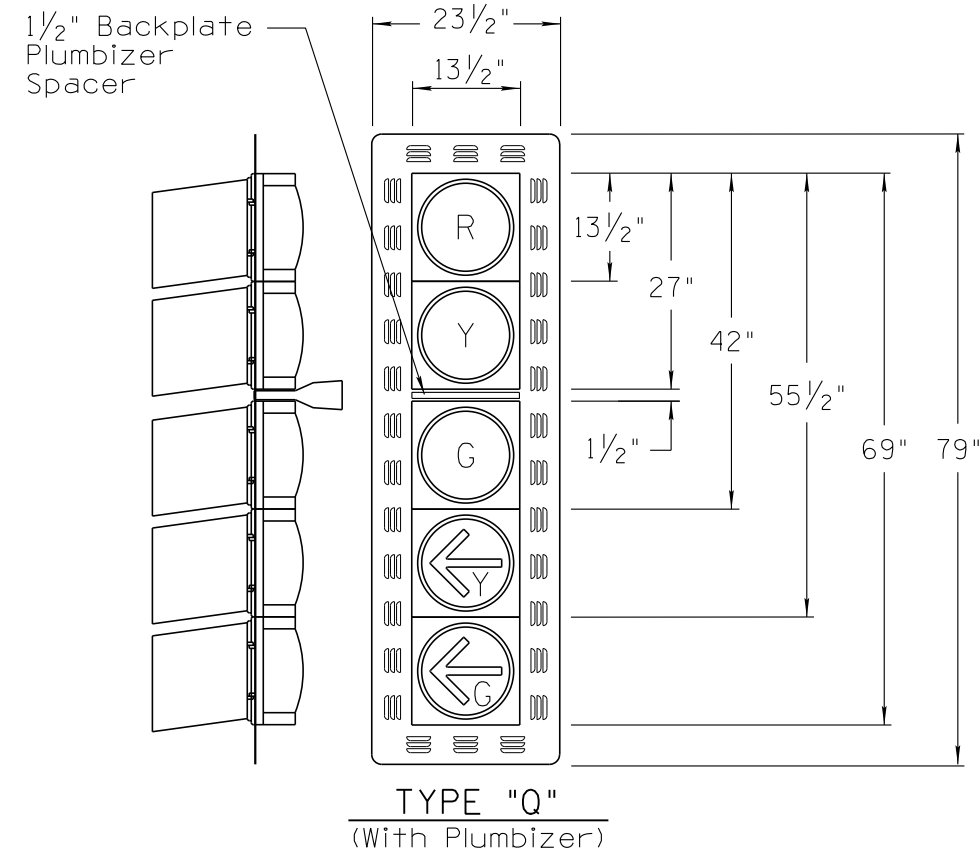
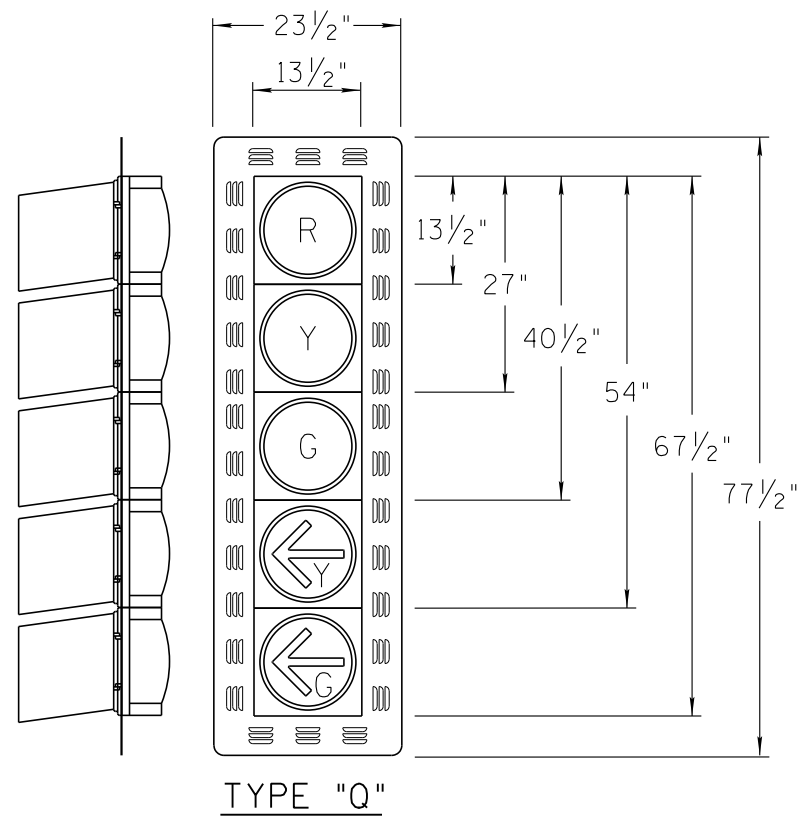
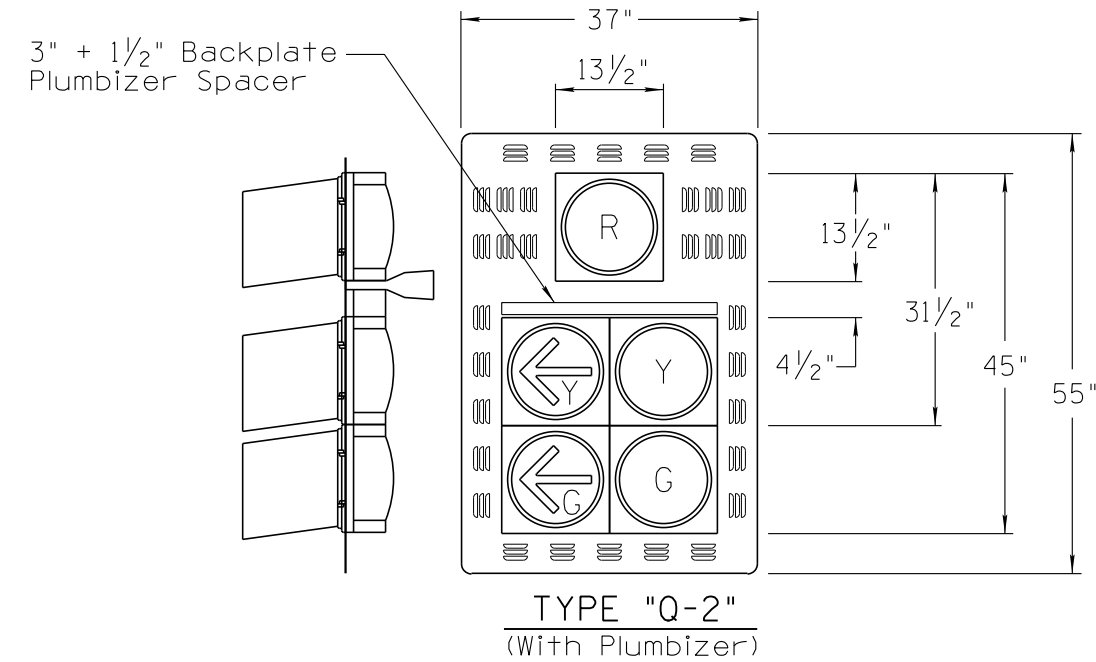
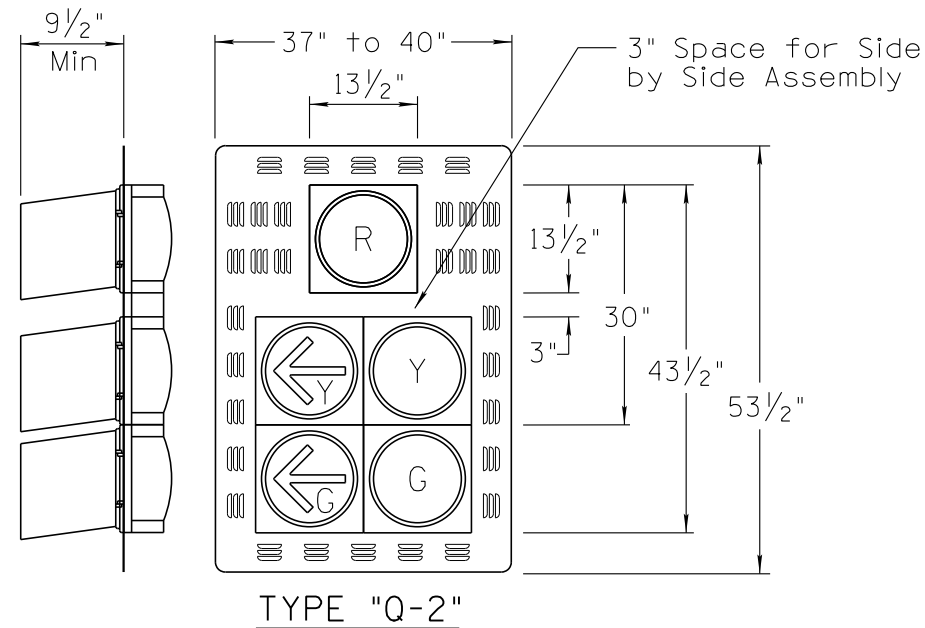


NO.	DESCRIPTION OF REVISIONS	MADE BY	DATE
1	2010 EDITION	C. COLE	03/10
2	2012 - REVISED DIMENSIONS FOR Q-2 FACE, REVISED NOTE 4	C. COLE	01/12

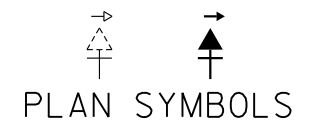


NOTES:

1. All signal face indications shall be 12-inch.
2. Variations between manufacturers are allowable if function and mounts remain interchangeable.
3. See plans for arrow orientation.
4. The Type Q signal face plumbizer location can be changed to meet vertical clearance.

NOT TO SCALE

SEE NOTES ON T.S. 8-0



DESIGN APPROVED	ARIZONA DEPARTMENT OF TRANSPORTATION INTERMODAL TRANSPORTATION DIVISION TRAFFIC SIGNALS AND LIGHTING STANDARD DRAWINGS	REVISION 01/12
APPROVED FOR DISTRIBUTION	VEHICLE TRAFFIC SIGNAL FACE ASSEMBLY	DRAWING NO. T.S. 8-3
		SHEET NO. 1 OF 1