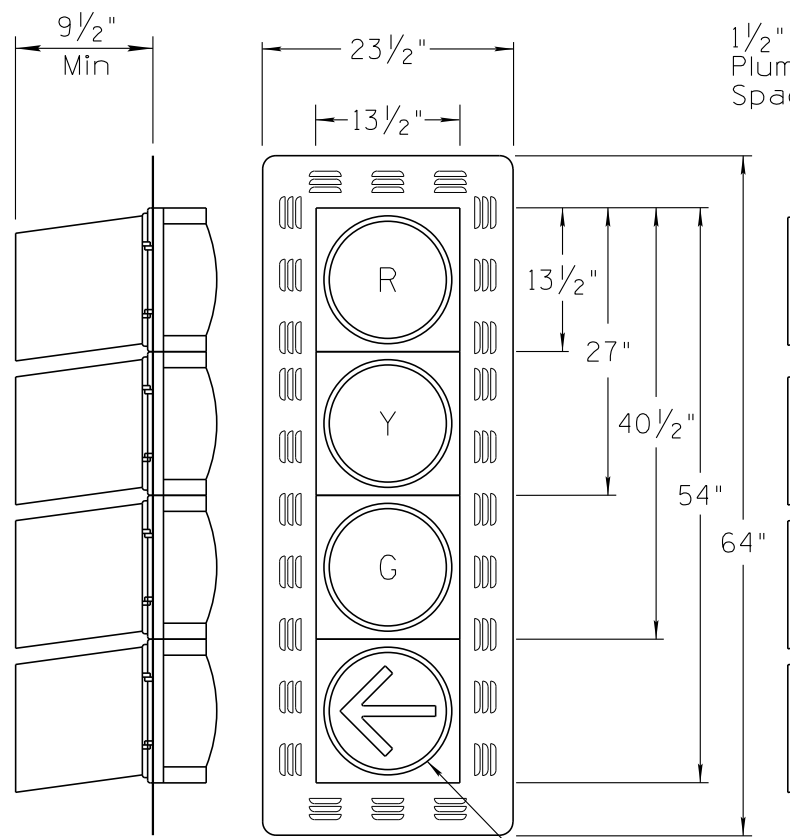
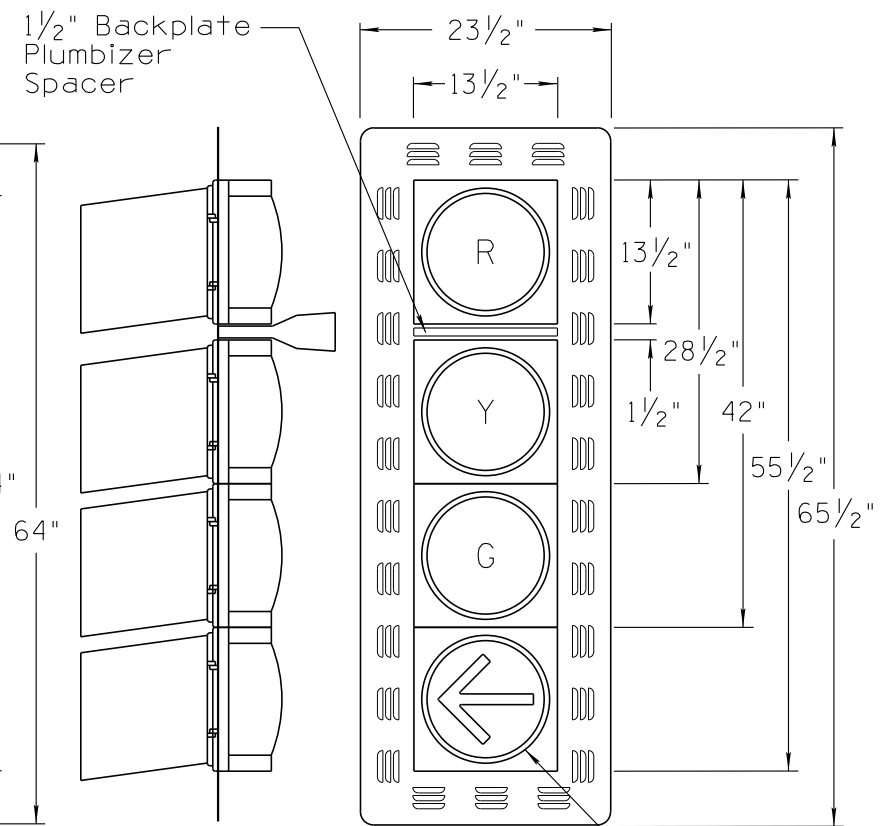


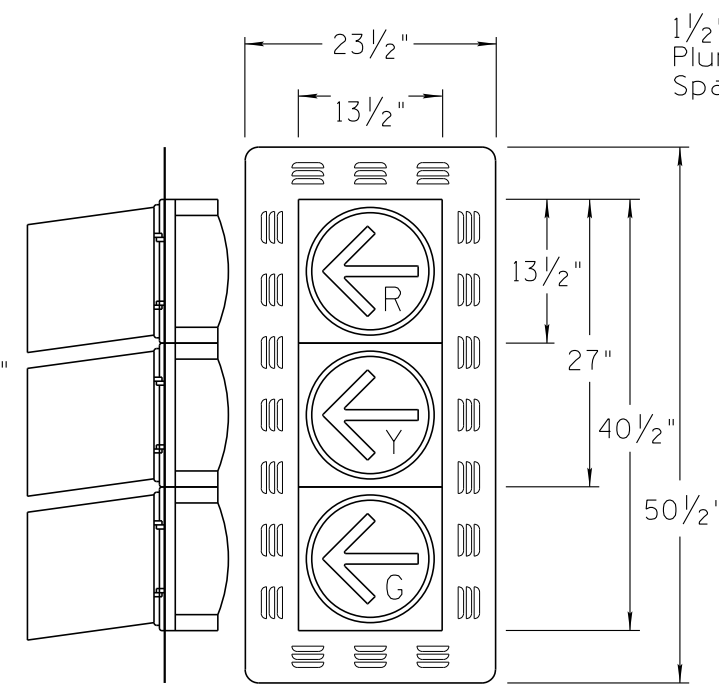
NO.	DESCRIPTION OF REVISIONS	MADE BY	DATE
1	2010 EDITION	C. COLE	03/10
2	2012 REVISED NOTE 4 AND 6	C. COLE	01/12



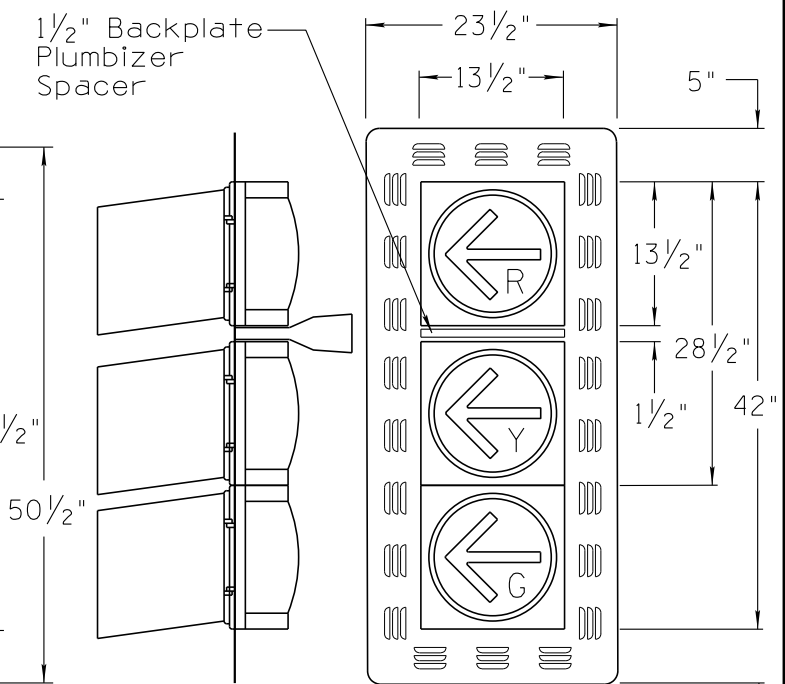
TYPE "G" — See Note 2



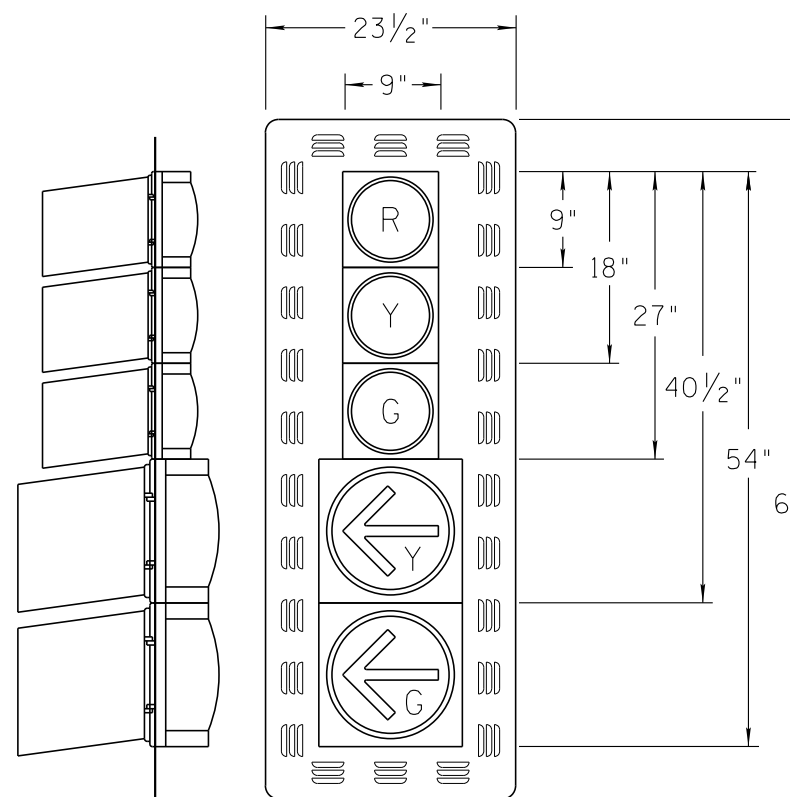
TYPE "G" (With Plumbizer) — See Note 2



TYPE "R"

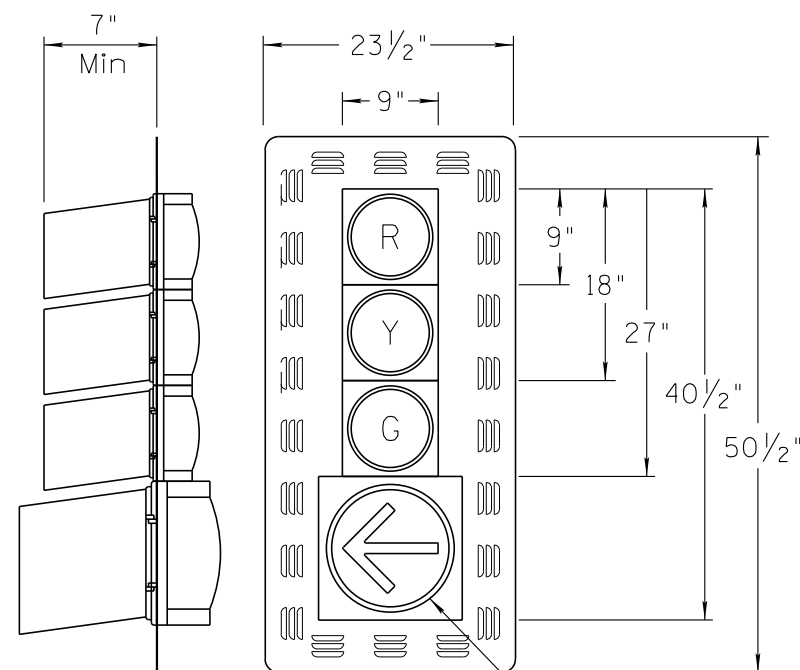


TYPE "R" (With Plumbizer)



TYPE "H"

Not for use on ADOT system. Only for use by local public agencies.

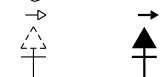


TYPE "M"

Not for use on ADOT system. Only for use by local public agencies.

NOTES:

1. Type R and G signal face indications shall be 12-inch.
2. The type G and M signal face assemblies can also be used with combination (dual display or bi-modal) yellow and green arrow indications.
3. Variations between manufacturers are allowable if function and mounts remain interchangeable.
4. The Type H and M shall not be used for any new construction projects on ADOT system.
5. See plans for arrow orientation.
6. Plumbizer location can be changed to meet vertical clearances. (e.g. between the yellow and green sections or the green and arrow sections).



PLAN SYMBOLS

SEE NOTES ON T.S. 8-0

DESIGN APPROVED	ARIZONA DEPARTMENT OF TRANSPORTATION INTERMODAL TRANSPORTATION DIVISION TRAFFIC SIGNALS AND LIGHTING STANDARD DRAWINGS	REVISION	01/12
APPROVED FOR DISTRIBUTION		DRAWING NO.	T.S. 8-2
VEHICLE TRAFFIC SIGNAL FACE ASSEMBLY		SHEET NO.	1 OF 1

ARCHIVED

NOT TO SCALE