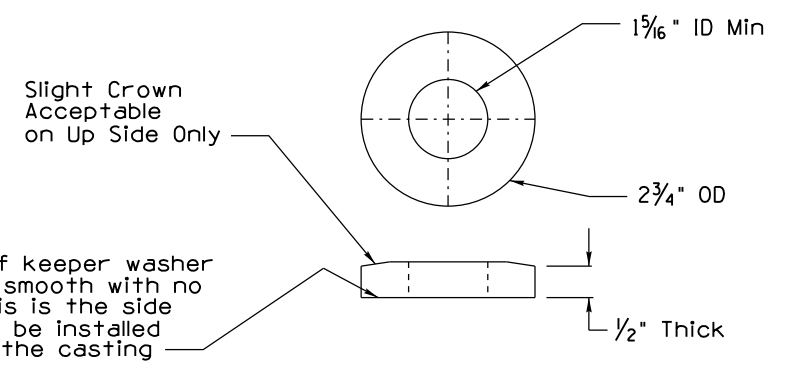


Note to Designer: The information presented in this Standard Drawing has been prepared in accordance with recognized engineering principles and is for general use. It should not be used for specific application without competent professional examination and verification of its suitability and applicability by a licensed professional engineer. Contents within the inner border line shall not be altered.

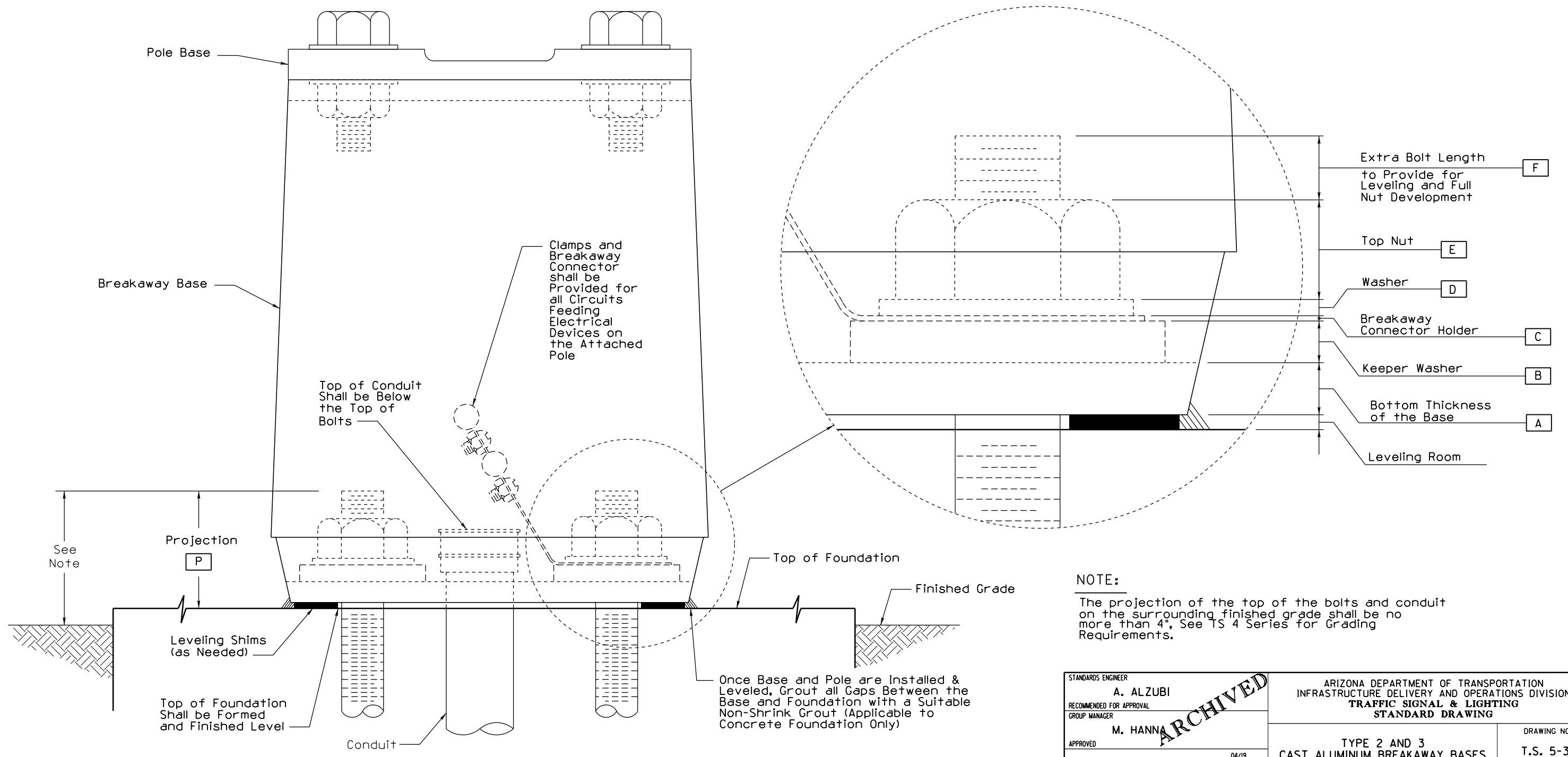
12/12
 PRIOR DISTRIBUTION DATE



SPECIAL STEEL BREAKAWAY BASE KEEPER WASHER DETAIL

Base Type	A	B	C	D	E	Total * Needed	F	Maximum Projection P
Type 2	5/16" (.62")	1/2"	1/16"	3/16"	1 3/16"	2 9/16"	1 5/16" Max	3 1/2"
Type 3	3/4" (.75")	1/2"	1/16"	3/16"	1 3/16"	2 11/16"	1 3/16" Max	3 1/2"

* Does not include extra bolt length to provide room for leveling. A minimum of 1/2" extra bolt length shall be provided for leveling room.



NOTE:
 The projection of the top of the bolts and conduit on the surrounding finished grade shall be no more than 4", See TS 4 Series for Grading Requirements.

Once Base and Pole are Installed & Leveled, Grout all Gaps Between the Base and Foundation with a Suitable Non-Shrink Grout (Applicable to Concrete Foundation Only)

STANDARDS ENGINEER
A. ALZUBI
 RECOMMENDED FOR APPROVAL
 GROUP MANAGER
M. HANNA
 APPROVED
 STANDARDS COMMITTEE APPROVED FOR DISTRIBUTION
 DATE 04/19

ARCHIVED

ARIZONA DEPARTMENT OF TRANSPORTATION
 INFRASTRUCTURE DELIVERY AND OPERATIONS DIVISION
TRAFFIC SIGNAL & LIGHTING
 STANDARD DRAWING

TYPE 2 AND 3
 CAST ALUMINUM BREAKAWAY BASES

DRAWING NO.
 T.S. 5-3