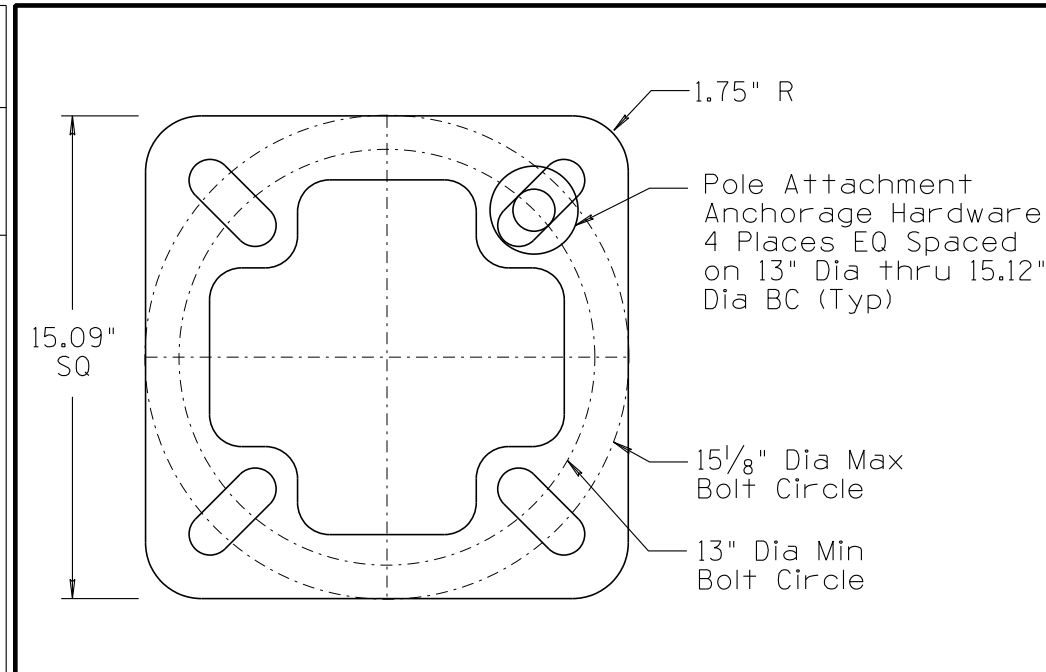
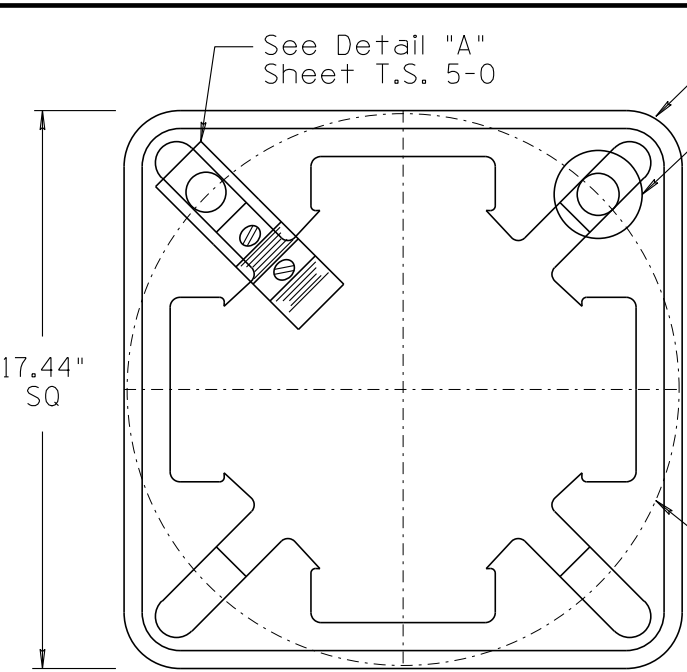


NO	DESCRIPTION OF REVISIONS	DATE	MADE BY
1	2010 EDITION	03/10	C. COLE
2	BOTTOM VIEW & CONNECTION DETAIL EDITS	12/12	L. LOPEZ



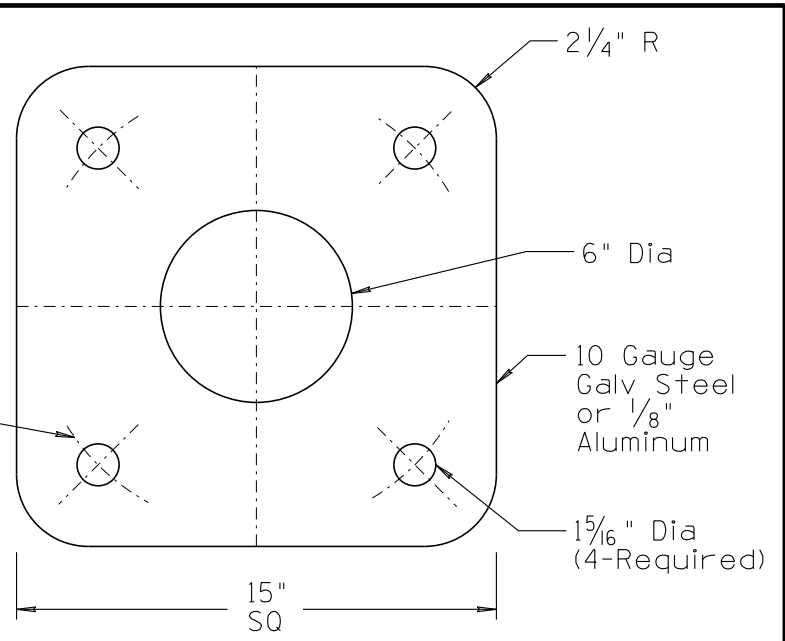
TOP VIEW



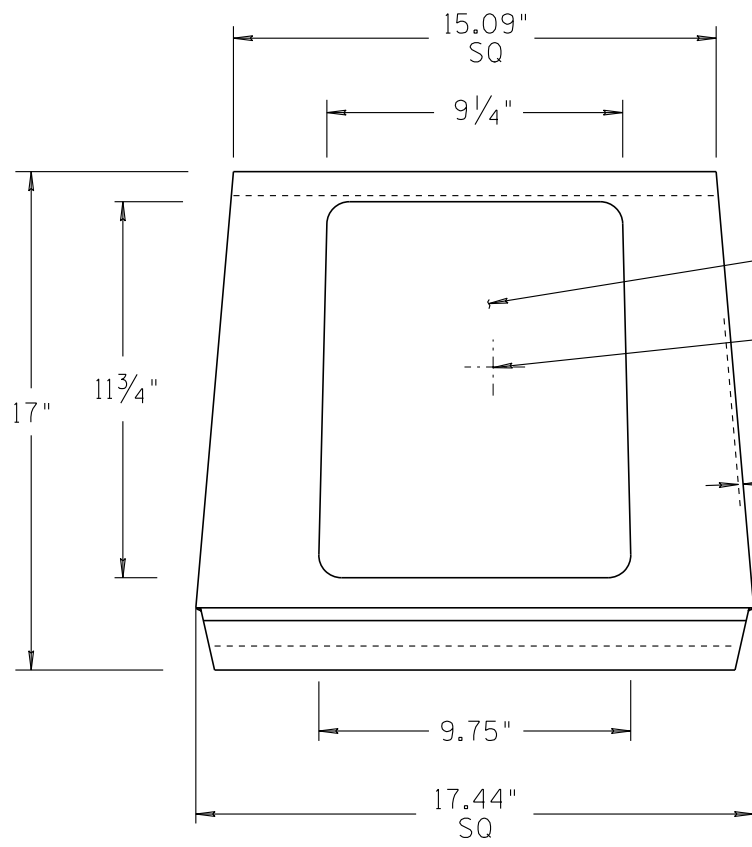
BOTTOM VIEW

Pole Type	Adapter Plate Bolt Circle Dia
Aluminum H, I and T	15"

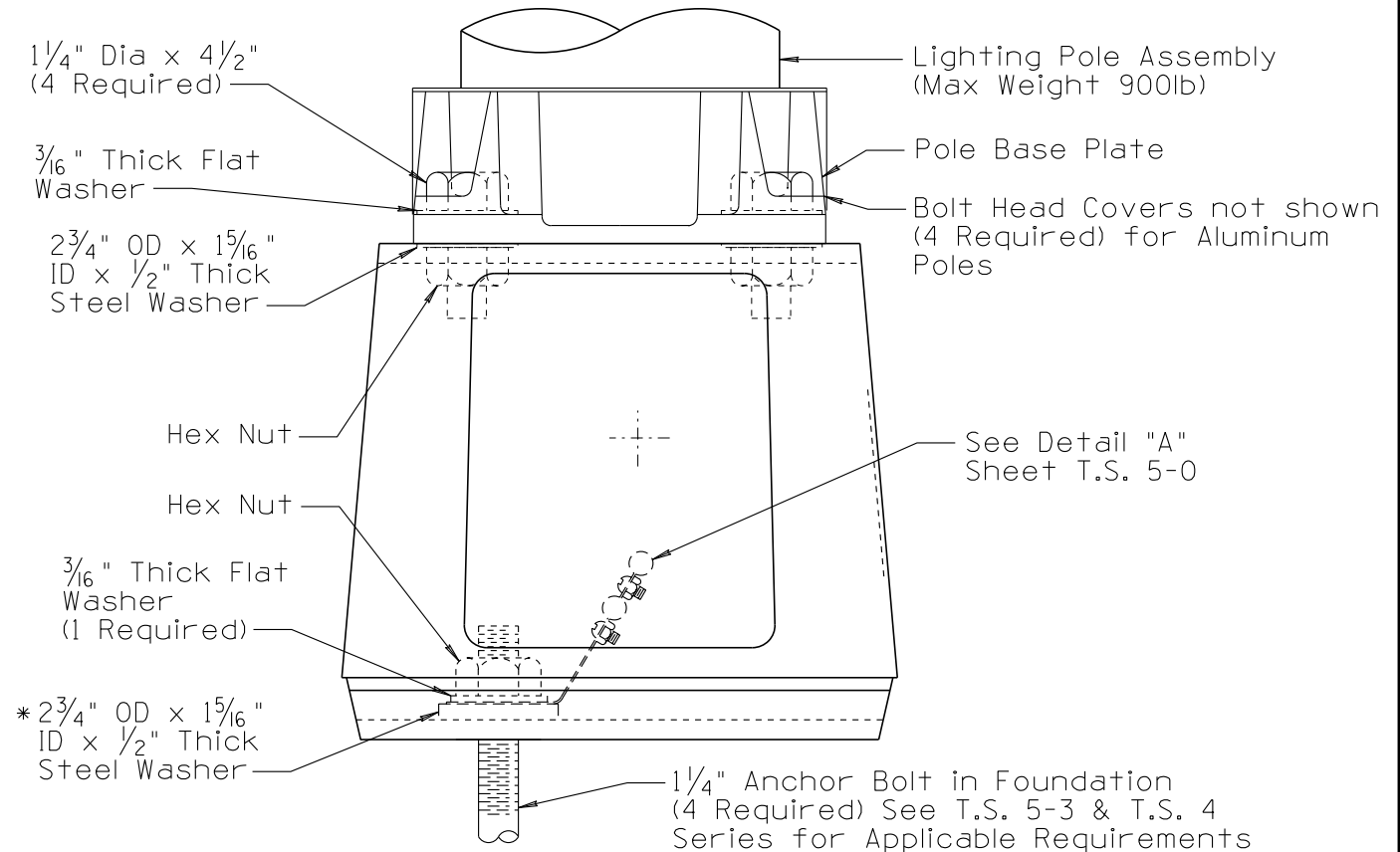
See Table for Bolt Circle Dia



ADAPTER PLATE  
(Installed Between Base & Pole)



FRONT VIEW



CONNECTION DETAIL

\* Washers in this location shall have a smooth corrosion-resistant finish and be approved for use by the breakaway base manufacturer.

SEE NOTES ON T.S. 5-0

DESIGN APPROVED	ARIZONA DEPARTMENT OF TRANSPORTATION INTERMODAL TRANSPORTATION DIVISION TRAFFIC SIGNALS AND LIGHTING STANDARD DRAWINGS	REVISION 12/12
APPROVED FOR DISTRIBUTION	TYPE 3 CAST ALUMINUM BREAKAWAY BASE	DRAWING NO. T.S. 5-2
<b>ARCHIVED</b>		SHEET NO. 1 OF 1

NOT TO SCALE