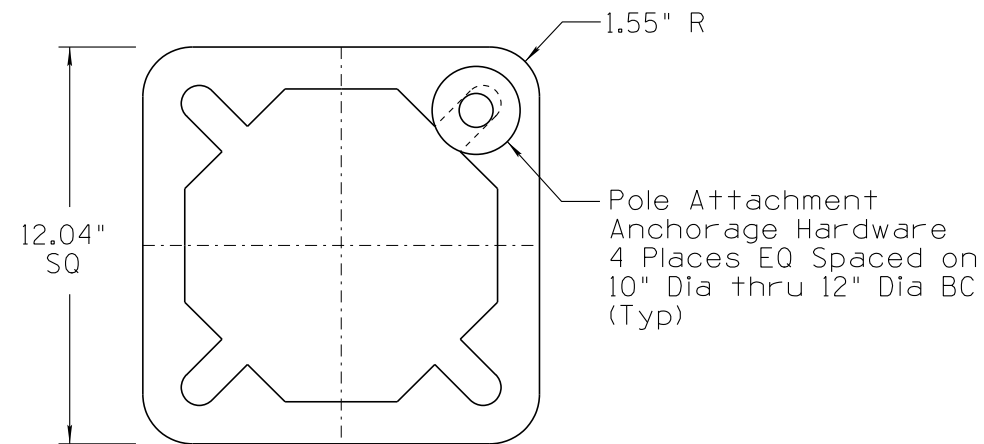
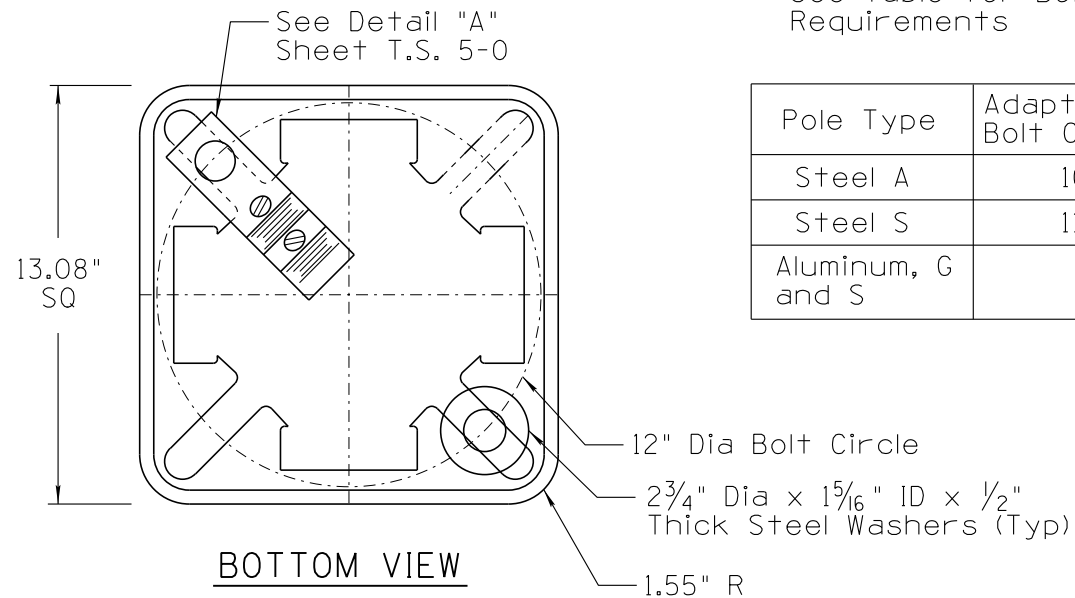


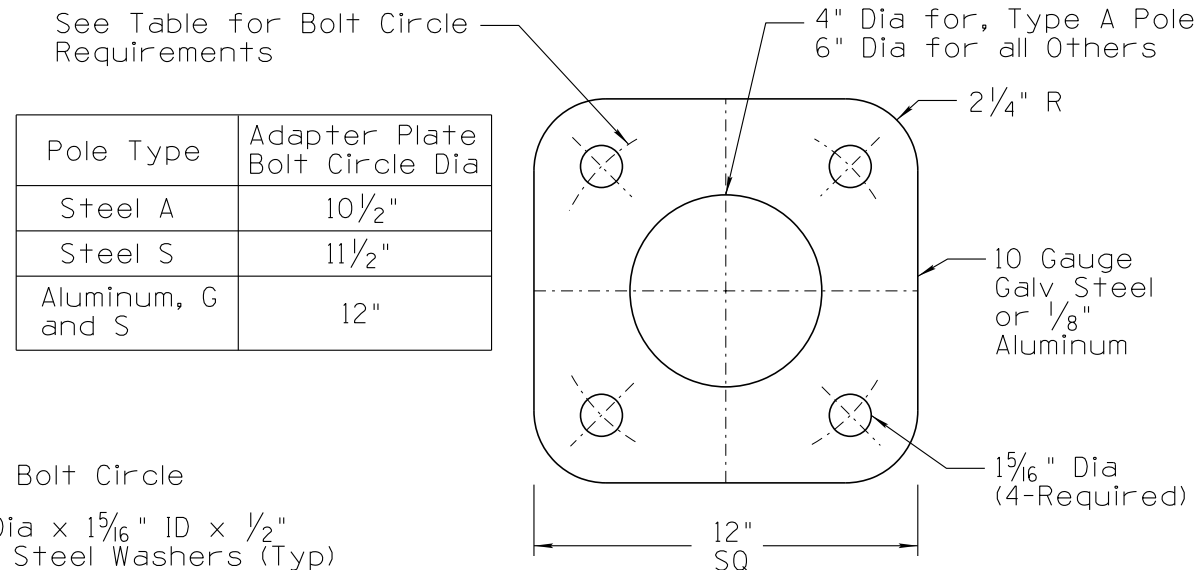
NO	DESCRIPTION OF REVISIONS	DATE	MADE BY
1	2010 EDITION	03/10	C. COLE
2	BOTTOM VIEW & CONNECTION DETAIL EDITS	12/12	L. LOPEZ



TOP VIEW

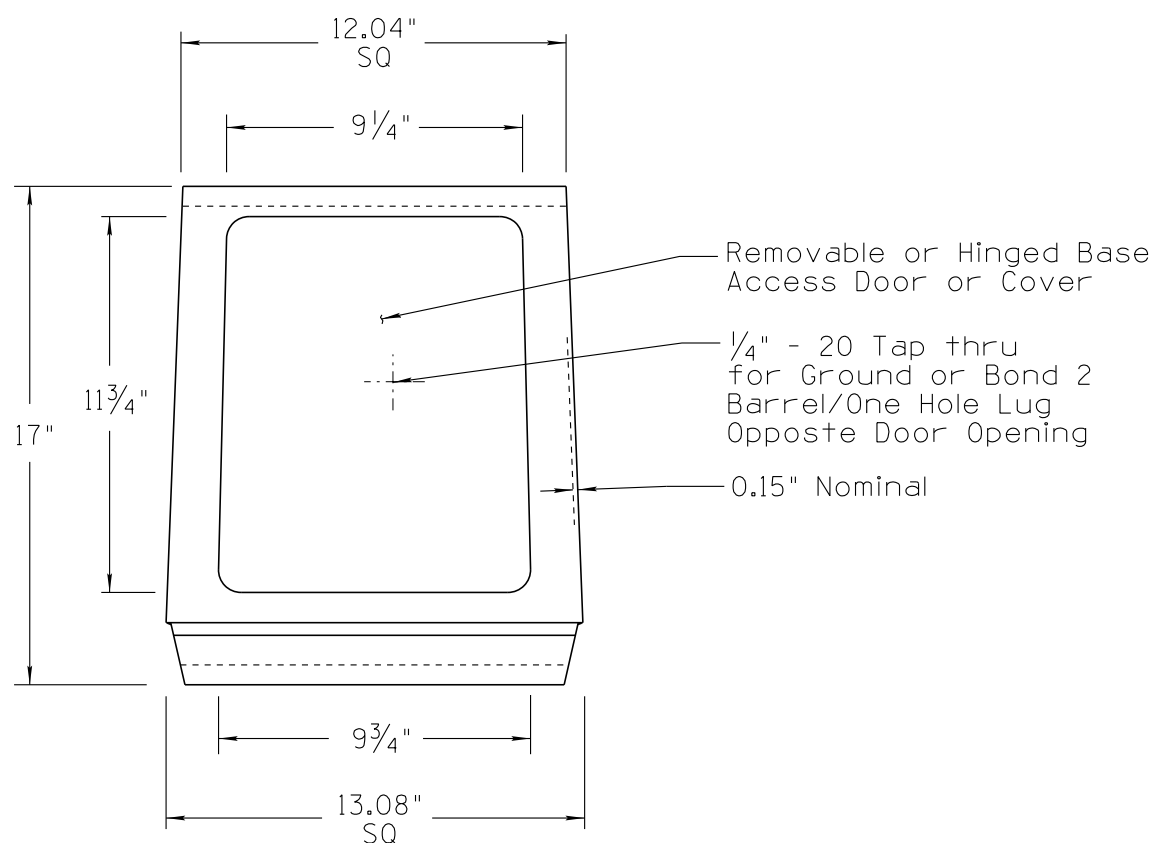


BOTTOM VIEW

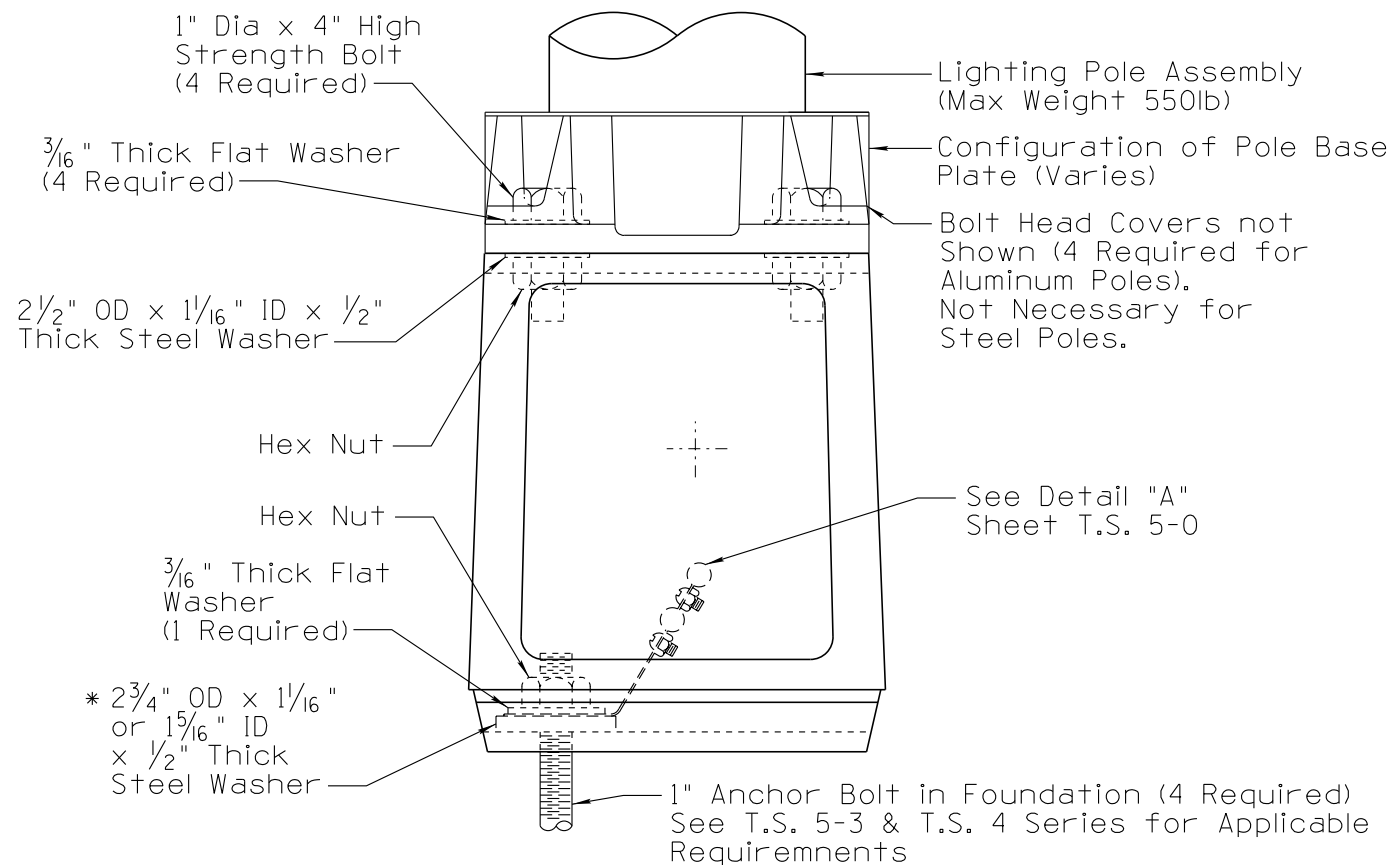


Pole Type	Adapter Plate Bolt Circle Dia
Steel A	10 1/2"
Steel S	11 1/2"
Aluminum, G and S	12"

ADAPTER PLATE
(Installed Between Base & Pole)



FRONT VIEW



CONNECTION DETAIL

* Washers in this location shall have a smooth corrosion-resistant finish and be approved for use by the breakaway base manufacturer.

SEE NOTES ON T.S. 5-0

NOT TO SCALE

DESIGN APPROVED	ARIZONA DEPARTMENT OF TRANSPORTATION INTERMODAL TRANSPORTATION DIVISION TRAFFIC SIGNALS AND LIGHTING STANDARD DRAWINGS	REVISION	12/12
APPROVED FOR DISTRIBUTION		DRAWING NO.	T.S. 5-1
TYPE 2 CAST ALUMINUM BREAKAWAY BASE		SHEET NO.	1 OF 1