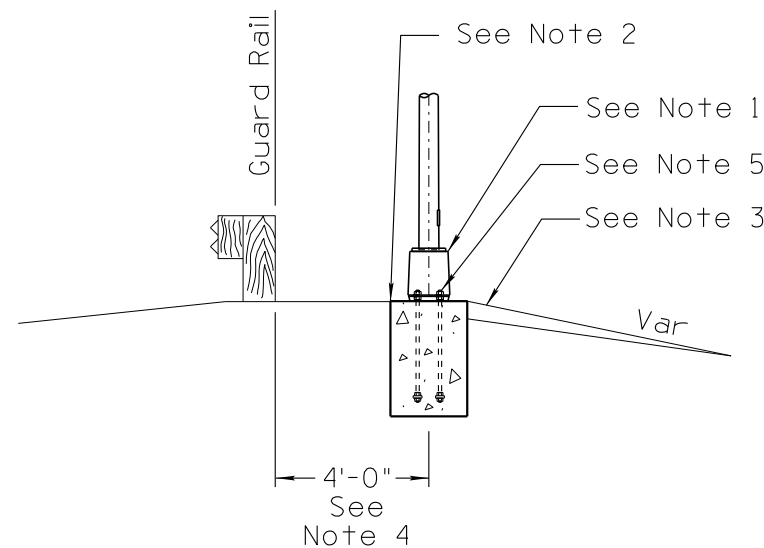
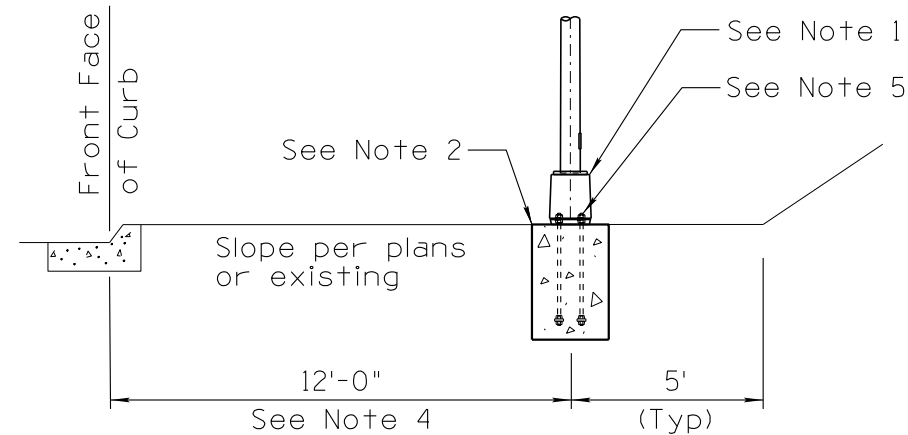
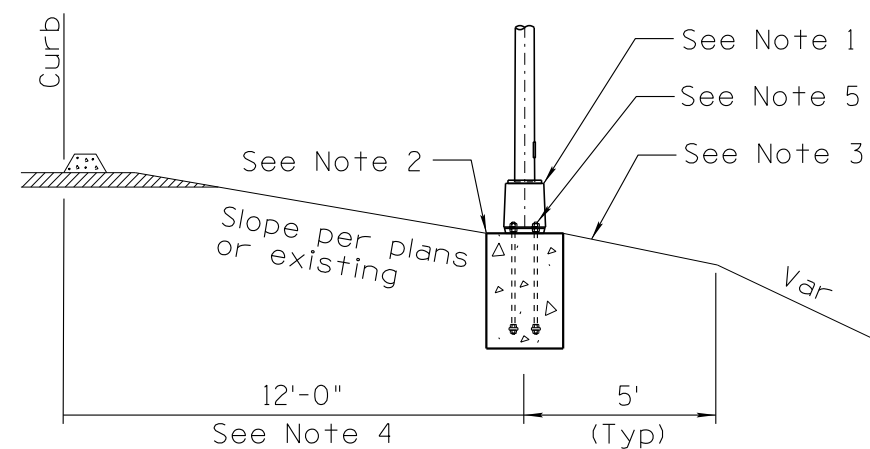
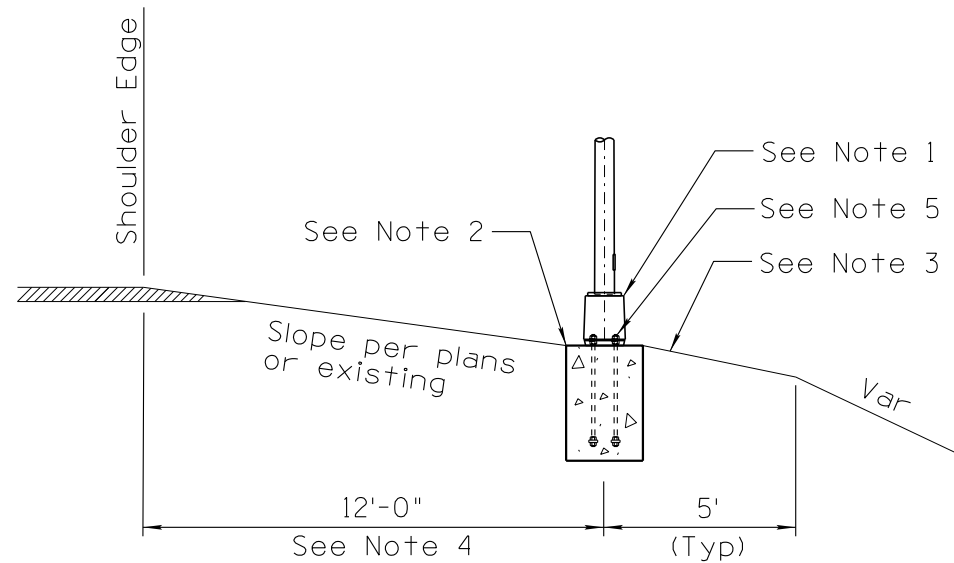


NO	DESCRIPTION OF REVISIONS	MADE BY	DATE	NO
1	2010 EDITION	C. COLE	03/10	3
2	SLOPE TEXT EDITS	L. LOPEZ	12/12	4



NOTES:

1. Use breakaway base if required. See T.S. 5 Series.
2. The top of pole foundations shall be flush with the finished grade. Pull boxes should be set to match the existing slope.
3. Fill around pole foundations a minimum of 10' on three sides with compacted backfill or as directed by the Engineer.
4. Pole offset should comply with the AASHTO Roadside Design Guide. See pole schedule and plans for actual offset.
5. Anchor bolt projection shall be 3½" or less if the pole is used with a breakaway base.
6. Maximum grade requirements apply if pole is equipped with a breakaway base.



NOT TO SCALE

DESIGN APPROVED	ARIZONA DEPARTMENT OF TRANSPORTATION INTERMODAL TRANSPORTATION DIVISION TRAFFIC SIGNALS AND LIGHTING STANDARD DRAWINGS	REVISION 12/12
APPROVED FOR DISTRIBUTION		DRAWING NO. T.S. 4-32
TYPICAL HIGHWAY LIGHTING OFFSETS IN CUT AND FILL SECTIONS		SHEET NO. 1 OF 1