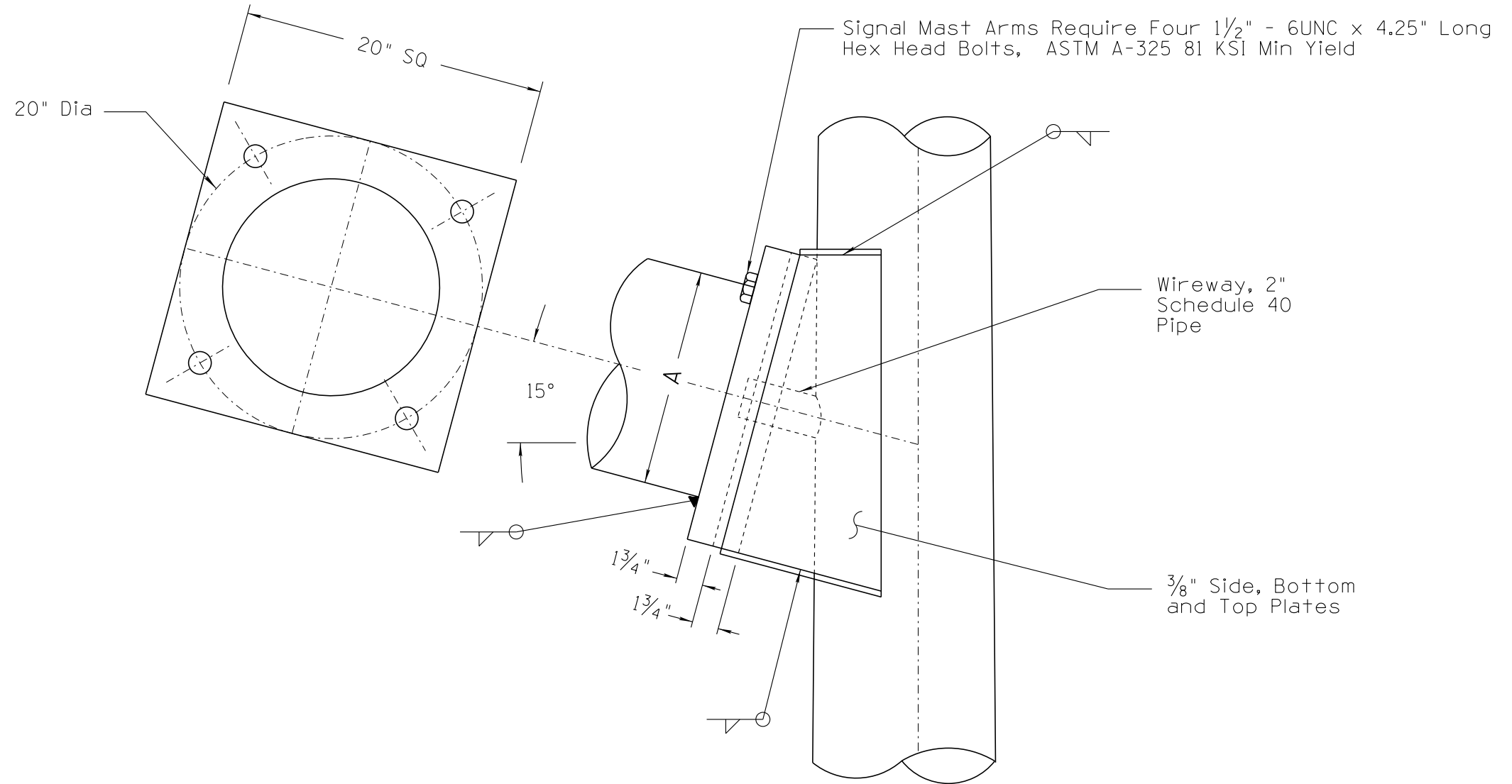


NO	DESCRIPTION OF REVISIONS	MADE BY	DATE	NO	DESCRIPTION OF REVISIONS	MADE BY	DATE
1	2010 EDITION	C. COLE	03/10	3			
2				4			



MAST ARM CONNECTION DETAIL

MAST ARM INFORMATION		
Nom MA Length	60'	65'
A	12 1/8"	13"

NOT TO SCALE

DESIGN APPROVED	ARIZONA DEPARTMENT OF TRANSPORTATION INTERMODAL TRANSPORTATION DIVISION TRAFFIC SIGNALS AND LIGHTING STANDARD DRAWINGS	REVISION	03/10
APPROVED FOR DISTRIBUTION		DRAWING NO.	T.S. 4-30
<p style="text-align: center;">ARCHIVED</p> <p style="text-align: center;">MAST ARM CONNECTION DETAIL TYPE "V" AND "W" POLES</p>		SHEET NO.	1 OF 1