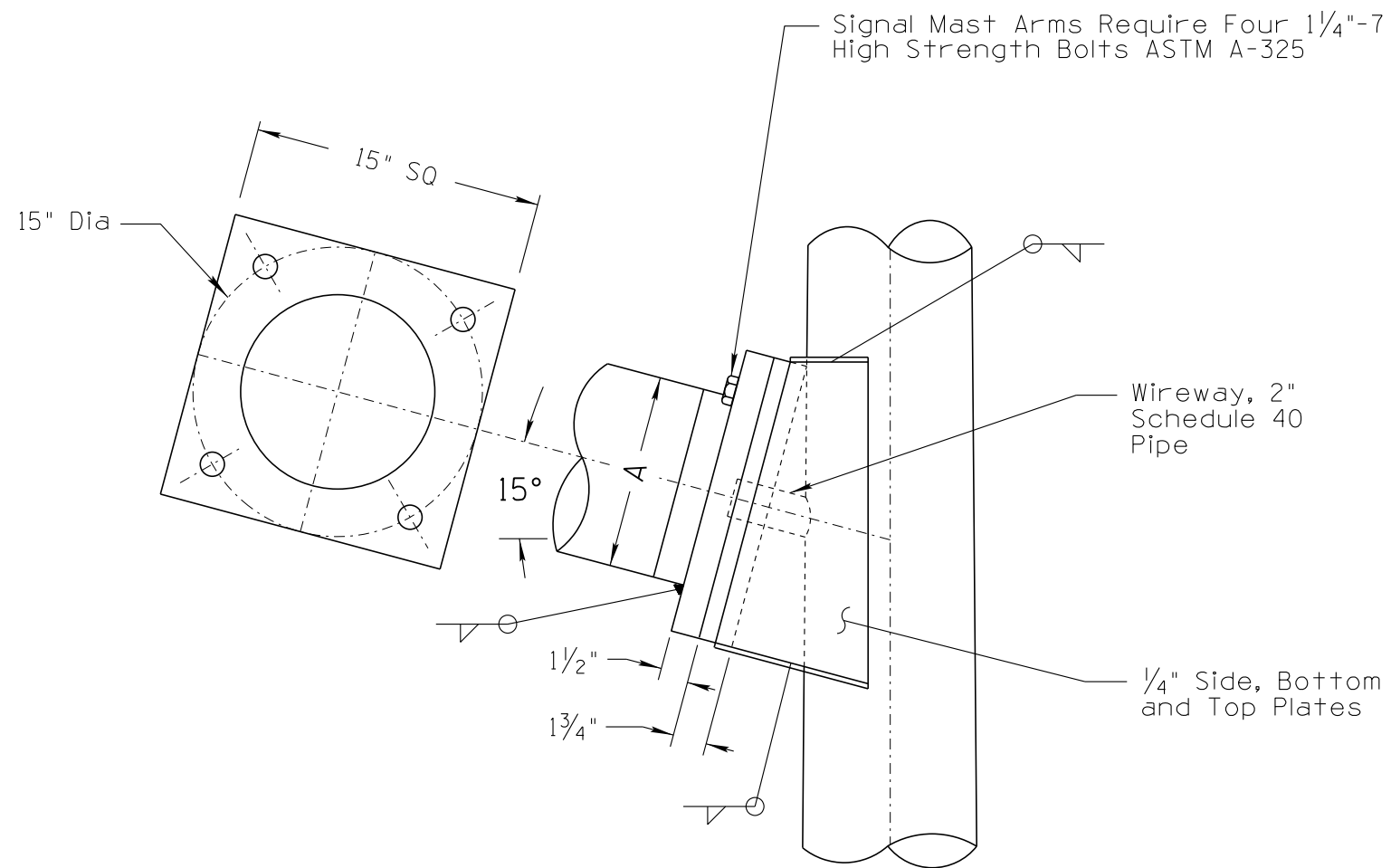


NO	DESCRIPTION OF REVISIONS	MADE BY	DATE
1	2010 EDITION	C. COLE	03/10
2			
3			
4			



MAST ARM CONNECTION DETAIL

SIGNAL MAST ARM INFORMATION			
Nom MA Length	45'	50'	55'
A	10 ¹ / ₁₆ "	10 ³ / ₄ "	11"

NOT TO SCALE

DESIGN APPROVED	ARIZONA DEPARTMENT OF TRANSPORTATION INTERMODAL TRANSPORTATION DIVISION TRAFFIC SIGNALS AND LIGHTING STANDARD DRAWINGS	REVISION 03/10
APPROVED FOR DISTRIBUTION		DRAWING NO. T.S. 4-29
SIGNAL MAST ARM CONNECTION DETAIL TYPE K AND R POLES		SHEET NO. 1 OF 1