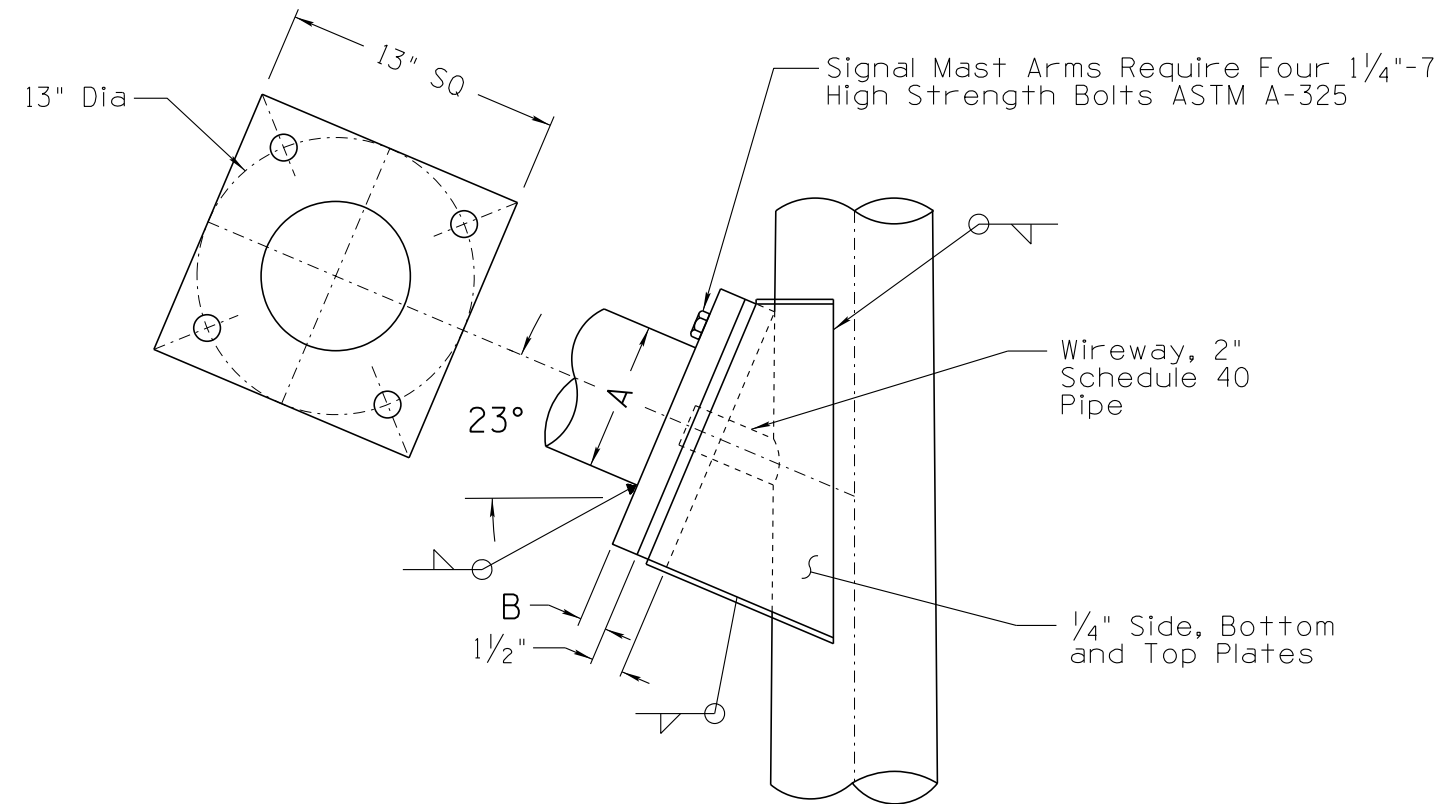


NO	DESCRIPTION OF REVISIONS	MADE BY	DATE	NO	DESCRIPTION OF REVISIONS	MADE BY	DATE
1	2010 EDITION	C. COLE	03/10	3			
2				4			



MAST ARM CONNECTION DETAIL

SIGNAL MAST ARM INFORMATION				
Nom MA Length	25'	30'	35'	40'
A Min	7"	8"	8 11/16"	9 3/8"
B	1"	1"	1 1/4"	1 1/4"

NOT TO SCALE

DESIGN APPROVED	ARIZONA DEPARTMENT OF TRANSPORTATION INTERMODAL TRANSPORTATION DIVISION TRAFFIC SIGNALS AND LIGHTING STANDARD DRAWINGS	REVISION	03/10
APPROVED FOR DISTRIBUTION		DRAWING NO.	T.S. 4-28
		SHEET NO.	1 OF 1