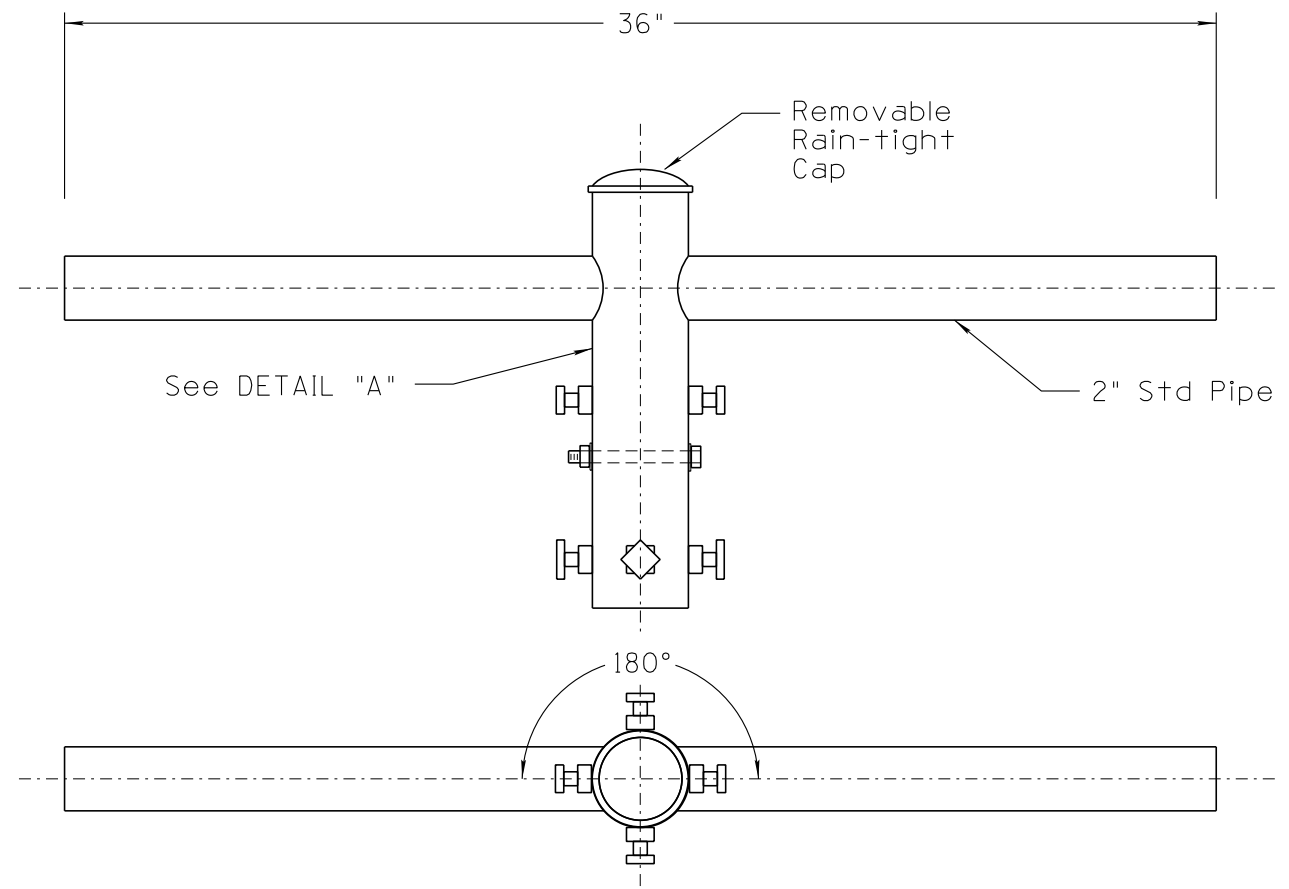
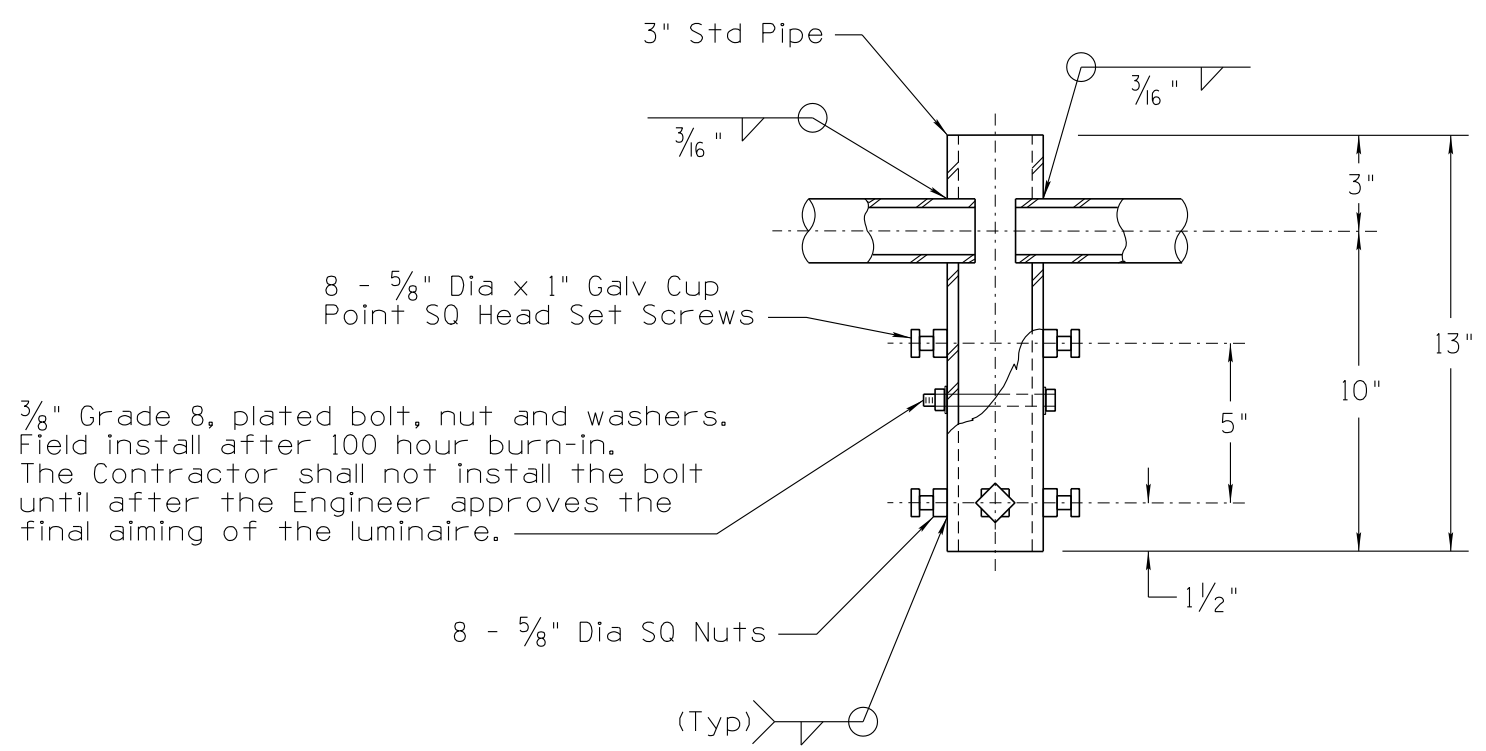


NO	DESCRIPTION OF REVISIONS	MADE BY	DATE	NO
1	2010 EDITION	C. COLE	03/10	3
2	REVISED WELD CALLOUTS IN DETAIL "A". REVISED BOLT CALLOUTS.	L. LOPEZ	10/13	4



TWIN LUMINAIRE BRACKET



3/8" Grade 8, plated bolt, nut and washers.
Field install after 100 hour burn-in.
The Contractor shall not install the bolt until after the Engineer approves the final aiming of the luminaire.

DETAIL "A"

NOT TO SCALE

DESIGN APPROVED	ARIZONA DEPARTMENT OF TRANSPORTATION INTERMODAL TRANSPORTATION DIVISION TRAFFIC SIGNALS AND LIGHTING STANDARD DRAWINGS	REVISION	10/13
APPROVED FOR DISTRIBUTION		DRAWING NO.	T.S. 4-17
TYPE "U" POLE ROUND POLE / SQUARE BASE		SHEET NO.	6 OF 6