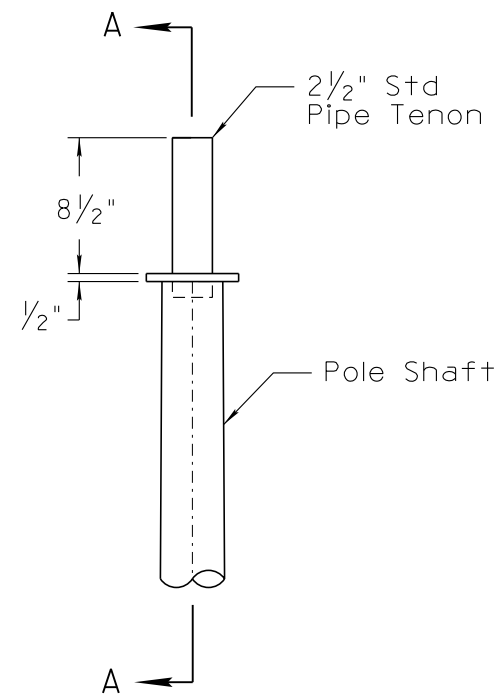
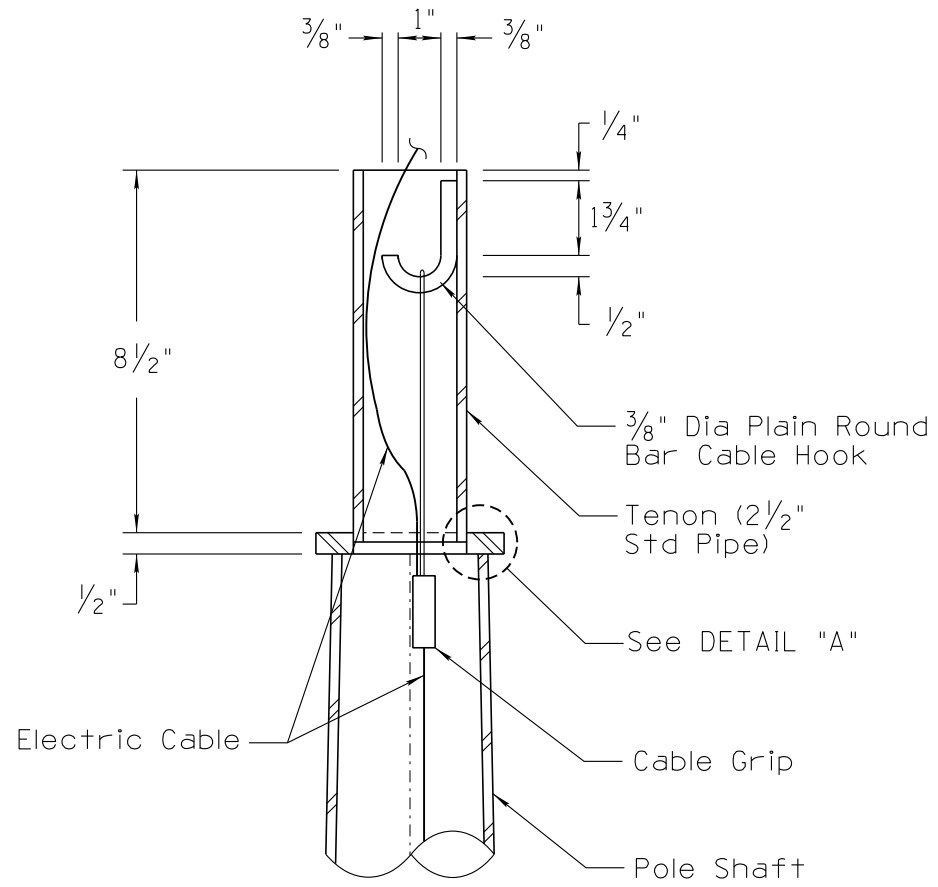


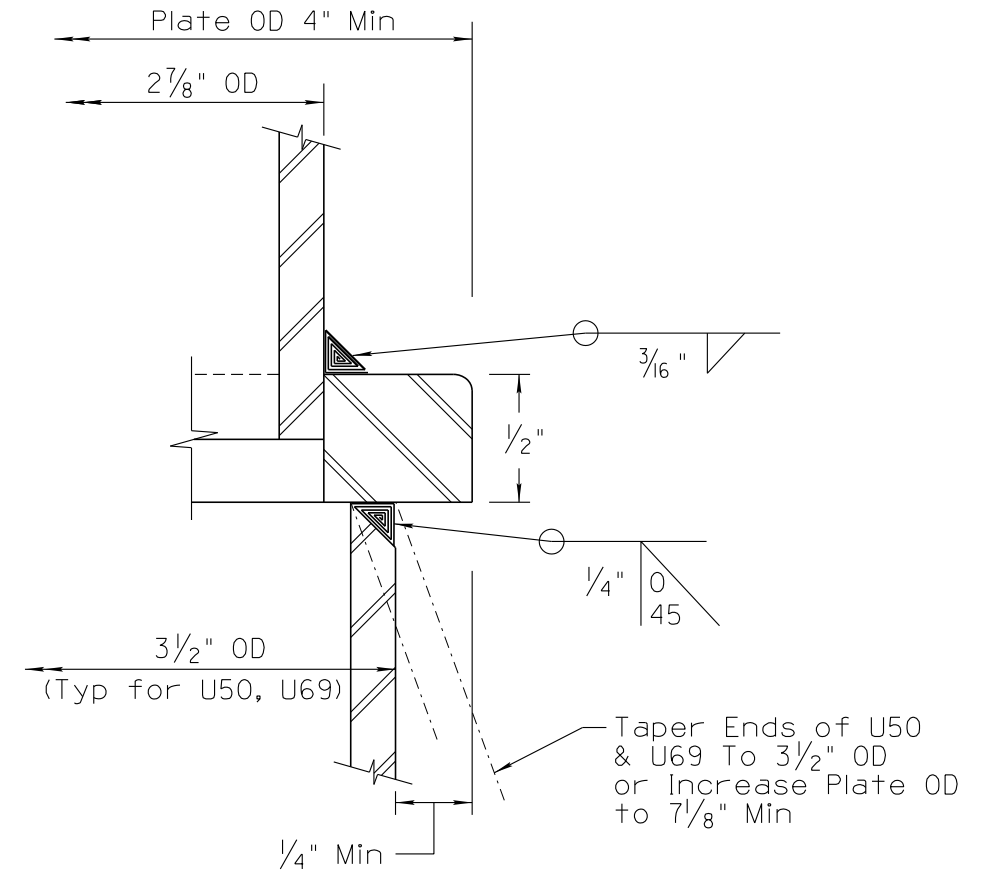
NO	DESCRIPTION OF REVISIONS	MADE BY	DATE	NO	DESCRIPTION OF REVISIONS	MADE BY	DATE
1	2010 EDITION	C. COLE	03/10	3			
2	REVISED WELDS IN DETAIL "A"	L. LOPEZ	10/13	4			



PIPE TENON DETAIL



SECTION A-A



DETAIL "A"

NOT TO SCALE

DESIGN APPROVED	ARIZONA DEPARTMENT OF TRANSPORTATION INTERMODAL TRANSPORTATION DIVISION TRAFFIC SIGNALS AND LIGHTING STANDARD DRAWINGS	REVISION	10/13
APPROVED FOR DISTRIBUTION		DRAWING NO.	T.S. 4-17
		SHEET NO.	5 OF 6