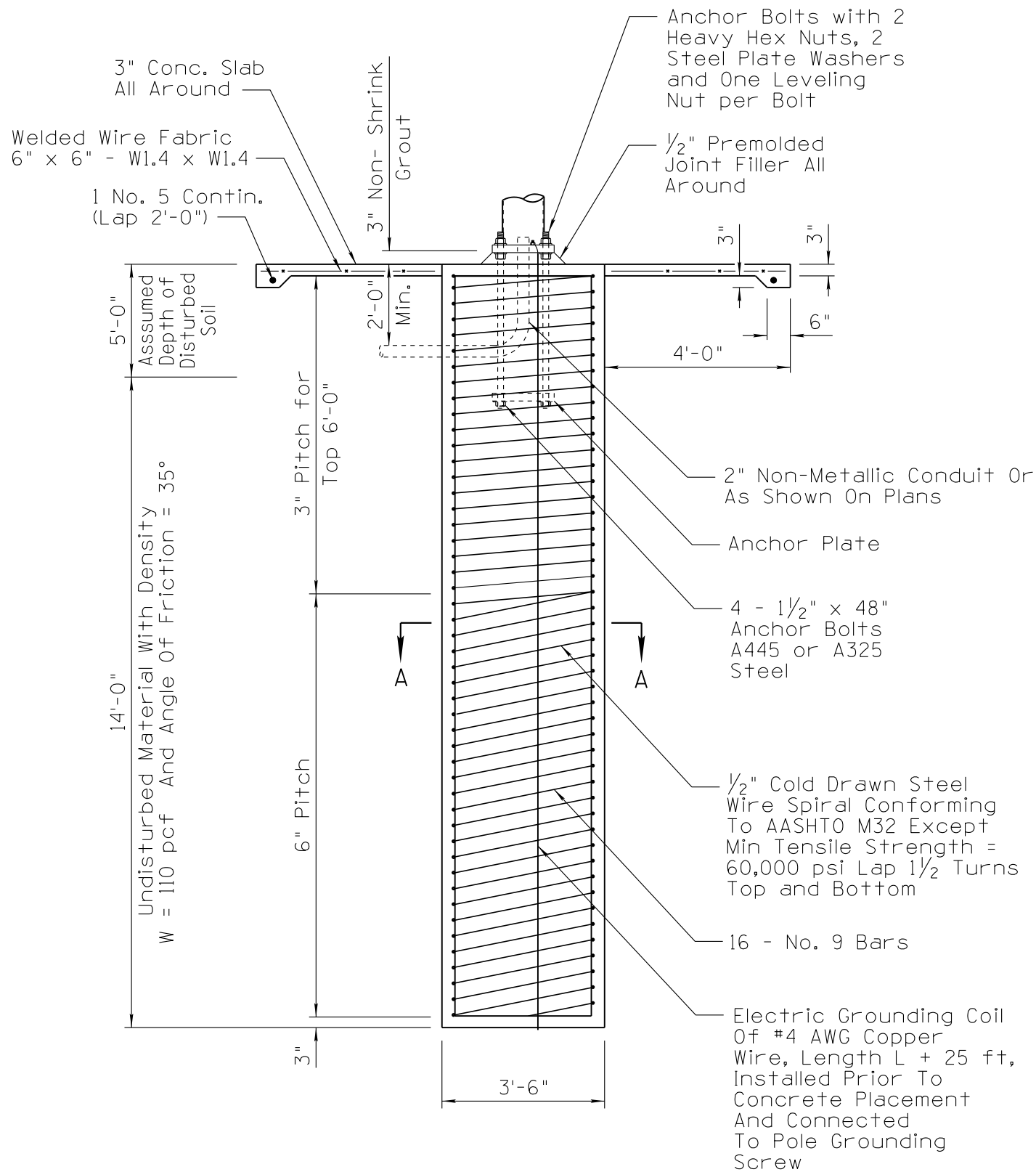
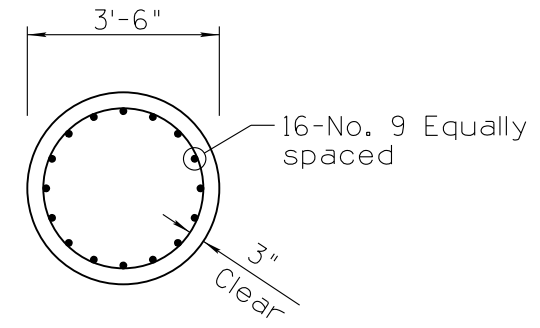


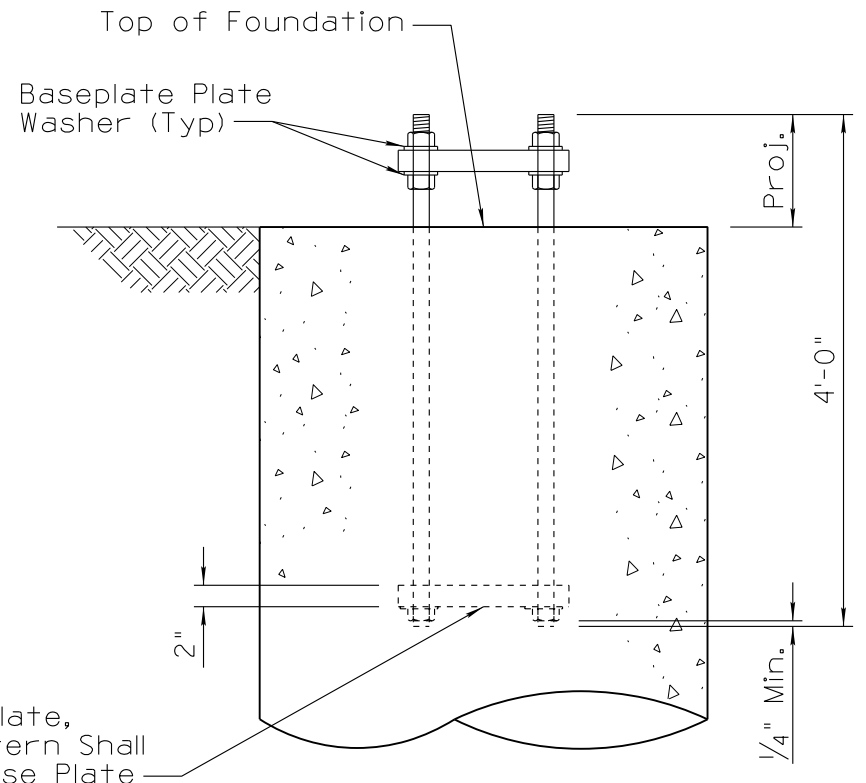
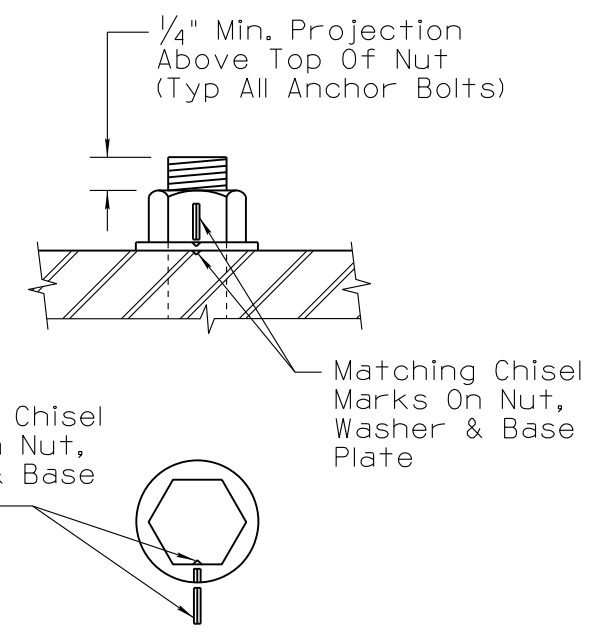
NO.	DESCRIPTION OF REVISIONS	MADE BY	DATE	NO.
1	2010 EDITION	C. COLE	03/10	3
2	REVISED WELDED WIRE FABRIC CALLOUT AND ASSUMED DEPTH OF DISTURBED SOIL.	L. LOPEZ	10/13	4



FOUNDATION DETAIL



SECTION A-A



ANCHOR BOLT PLACEMENT

SEE NOTES ON SHEET 3

NOT TO SCALE

DESIGN APPROVED	ARIZONA DEPARTMENT OF TRANSPORTATION INTERMODAL TRANSPORTATION DIVISION TRAFFIC SIGNALS AND LIGHTING STANDARD DRAWINGS	REVISION	10/13
APPROVED FOR DISTRIBUTION		DRAWING NO.	T.S. 4-17
		SHEET NO.	2 OF 6