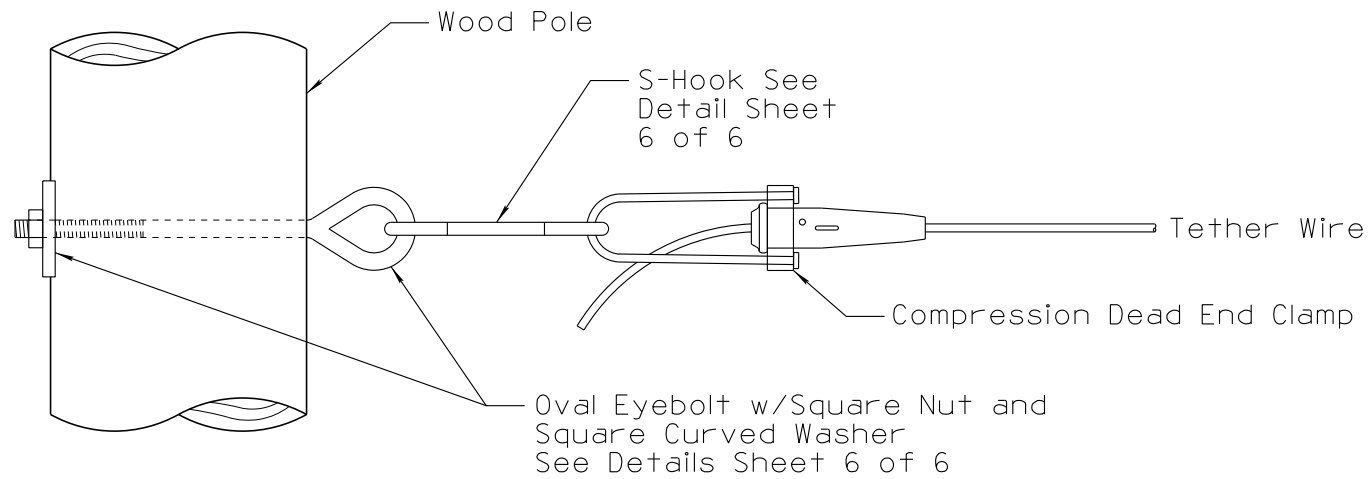
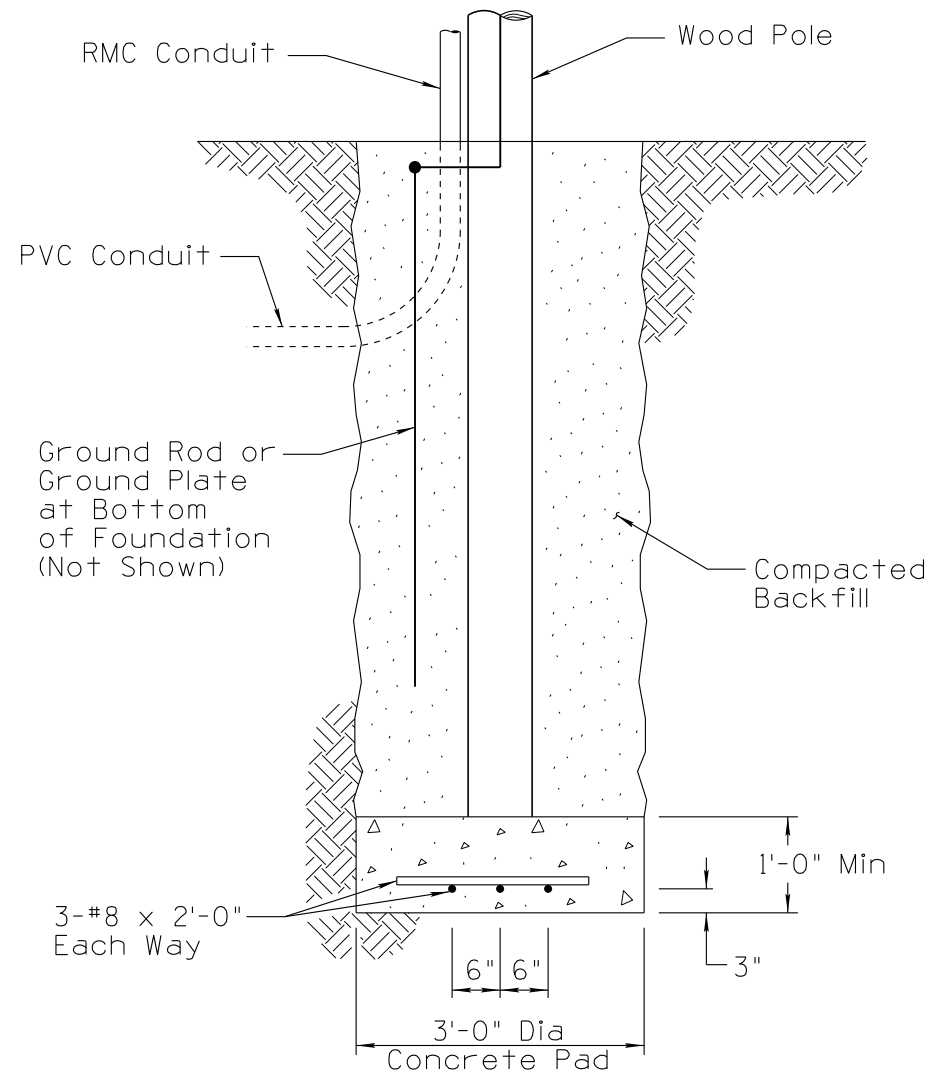


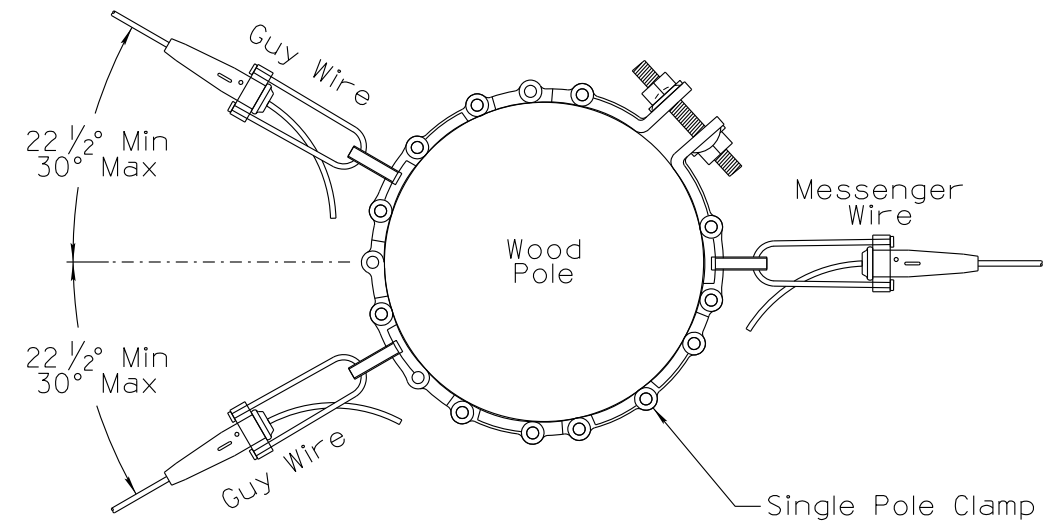
NO	DESCRIPTION OF REVISIONS	DATE	MADE BY
1	2012 ORIGINAL ISSUE - NEW DRAWING	01/12	C. COLE
2			



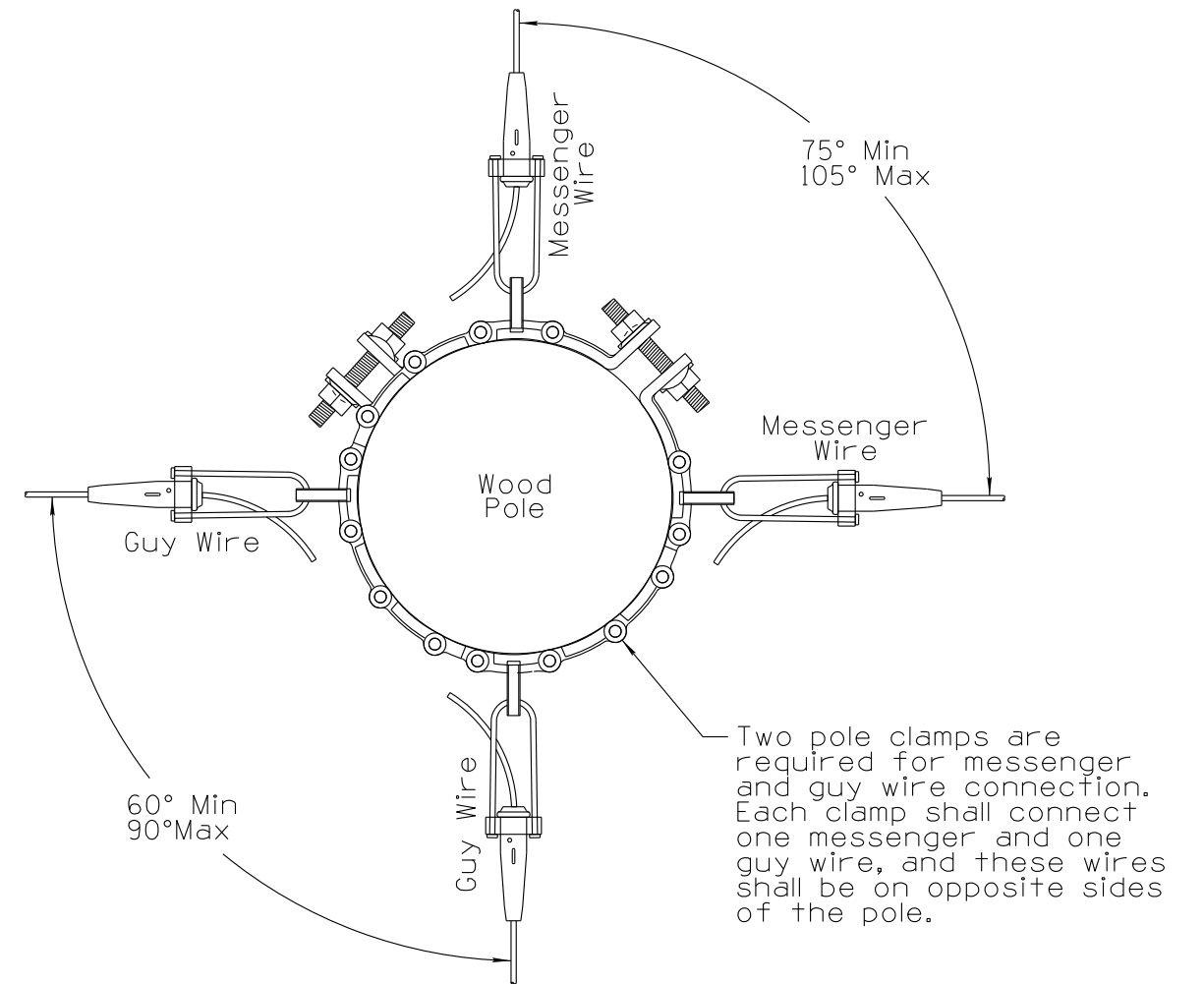
WOOD POLE TETHER WIRE CONNECTION DETAIL



WOOD POLE FOUNDATION DETAIL



SINGLE SPAN WIRE CONNECTION DETAIL



BOX SPAN WIRE CONNECTION DETAIL

NOT TO SCALE

DESIGN APPROVED	ARIZONA DEPARTMENT OF TRANSPORTATION INTERMODAL TRANSPORTATION DIVISION TRAFFIC SIGNALS AND LIGHTING STANDARD DRAWINGS	REVISION 01/12
APPROVED FOR DISTRIBUTION	SPAN WIRE SIGNALS AND LIGHTING WOOD POLE TYPICAL DETAILS	DRAWING NO. T.S. 15-1
		SHEET NO. 5 OF 6