

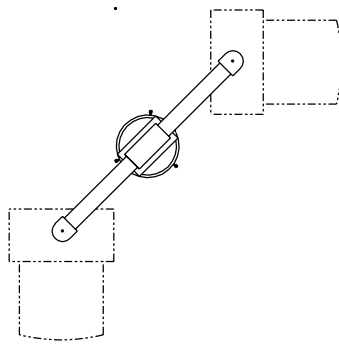
TABLE TO BE USED FOR FINDING NIPPLE LENGTH. (Use For Item 9 Only)

SIGNAL FACES COMBINATION	C	Q	F/R	M	H	G
	C	0	39 3/4"	12 7/8"	13 3/4"	29 3/4"
Q	39 3/4"	0	29 1/2"	26 1/2"	10"	16 1/4"
F/R	12 7/8"	29 1/2"	0	3"	19 1/2"	13 3/4"
M	13 3/4"	26 1/2"	3"	0	16 1/2"	12 7/8"
H	29 3/4"	10"	19 1/2"	16 1/2"	0	6 1/4"
G	27 5/8"	16 1/4"	13 3/4"	12 7/8"	6 1/4"	0

Signal Face	(Use For Item 10 Only)					
Nipple Length	C	Q	F/R	M	H	G
	24"	70"	37 7/8"	38 3/4"	60"	52 5/8"

Threads On One End Only.

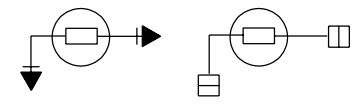


MOUNTING ORIENTATION PLAN

Direction Of Signal Head And Bracket Is Adjustable.

LIST OF MATERIALS		
Itm.	Qty.	Description
1	1	Pole Top Mounted Terminal Compartment. (T.S. 10-4-2)
2	2	1/2" I.D. Pipe Nipple, 6" Long.
3	2	90° Elbow With Locking Device. (T.S. 10-1-2)
4	4	1/2" Lock Nipple, See Note No. 1.
5	2	Signal Head, See Plans.
6	2	Neoprene Washer.
7	2	Flat Washer.
8	1	1/2" Pipe Coupling, As Required.
9	1	1/2" Pipe Nipple, See Table.
10	1	1/2" Center Pipe, See Table.
11	2	90° Elbow, 1/2".
12	2	1/2" Pipe Nipple, 6 1/2" Long
13	1	Pipe Tee, Drill & Tap For Setscrew.
14	2	1/2" Pipe Nipple, 12 1/2" Long For Ped. Signal Heads.
15	1	1/2" Pipe Nipple, 9 1/2" Long For Ped. Signal Heads.
16	2	1/2" Pipe Nipple, 12" Long For Ped. Signal Heads.
17	1	Conduit Lock Nut. (For "F", "M" & "R" Combination Only.)
18	1	1/2" Pipe Nipple, 3" Long. (For "F", "M", & "R" Combination Only.)
19	1	Malleable Hex Nut (For "F", "M", & "R" Combination Only.)

\* Special Nipple Length For Use Only With Ped. Signal Single Head Units.



PLAN SYMBOLS

NOTES:

1. Lock Nipple Length shall be 1/8" for 8" Heads and 1/4" for 12" Heads.

DESIGN APPROVED <b>UNDER REVIEW</b>	STATE OF ARIZONA DEPARTMENT OF TRANSPORTATION DIVISION OF HIGHWAYS STANDARD DRAWINGS	REV.
APPROVED FOR DISTRIBUTION	TYPE VI MOUNTING ASSEMBLY	DRAWING NO. T.S.9-4