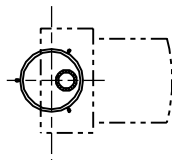
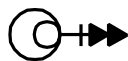


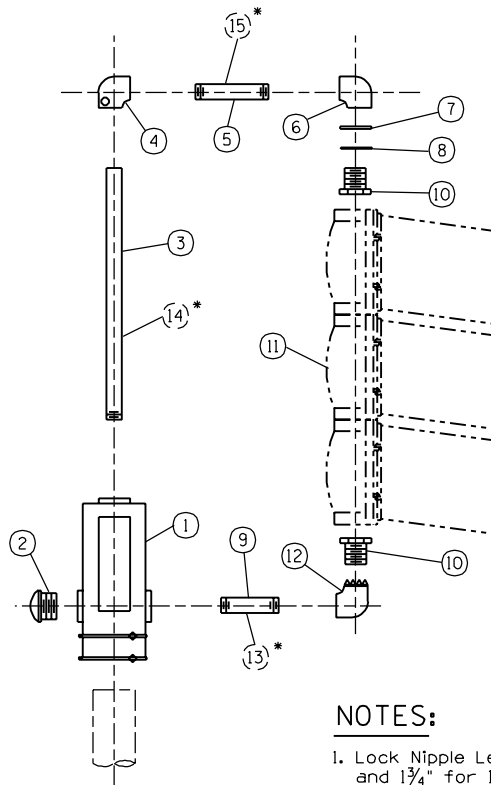
TYPE III MOUNT



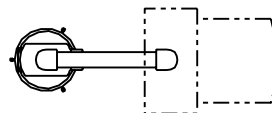
MOUNTING ORIENTATION PLAN



PLAN SYMBOL



TYPE IV MOUNT



MOUNTING ORIENTATION PLAN



PLAN SYMBOLS

NOTES:

1. Lock Nipple Length shall be 1/8" for 8" Heads and 1/4" for 12" Heads.

TYPE III MOUNT

LIST OF MATERIALS		
Item	Qty.	Description
1	1	Ornamental Cap. (See T.S. 10-1-6)
2	1	Neoprene Washer.
3	1	Conduit Locknut.
4	1	Flat Washer.
5	1	1/2" Lock Nipple 1/8" Long.
6	1	Pole Top Offset Mount. (T.S. 10-1-3)
7	1	Signal Head, See Plans.

TYPE IV MOUNT

LIST OF MATERIALS		
Item	Qty.	Description
1	1	Pole Top Mounted Terminal Compartment. (T.S. 10-4-2)
2	1	Ornamental Cap. (See T.S. 10-1-6)
3	1	1/2" Center Pipe, See Table.
4	1	90° Elbow, Drill & Tap For Setscrew.
5	1	1/2" Pipe Nipple, 12 1/2" Long for Pedestrian & Signal Heads.
6	1	90° Elbow.
7	1	Flat Washer.
8	1	Neoprene Washer.
9	1	1/2" Pipe Nipple, 12" Long.
10	2	1/2" Lock Nipple, See Note 1.
11	1	Signal Head, See Plans.
12	1	90° Elbow With Locking Device. (T.S. 10-1-2)
* 13	1	1/2" Pipe Nipple, 12" Long.
* 14	1	1/2" Pipe Nipple, 9 1/2" Long For Ped. Signal, For Illuminated Message Units Use 2 3/8" x 1/2" Pipe.
* 15	1	1/2" Pipe Nipple, 12 1/2" Long.

* Nipple Lengths For Use With Pedestrian Signal Units, or Illuminated Message Units.

**NIPPLE LENGTH
TYPE IV MOUNT (ITEM 3)**

Signal Face	C	O	F/R	M	H	G
Nipple Length	21"	61 1/2"	34 1/2"	34 1/2"	48"	48"

Threads on one end only.

DESIGN APPROVED	SIGNATURE	ARIZONA DEPT. OF TRANSPORTATION	REV.
APPROVED FOR DISTRIBUTION		INTERMODAL TRANSPORTATION DIVISION	
	ON FILE	TRAFFIC SIGNALS & LIGHTING	
		STANDARD DRAWINGS	
		TYPE III & IV MOUNTING ASSEMBLIES	DRAWING NO. T.S. 9-2