

TYPE I MOUNT

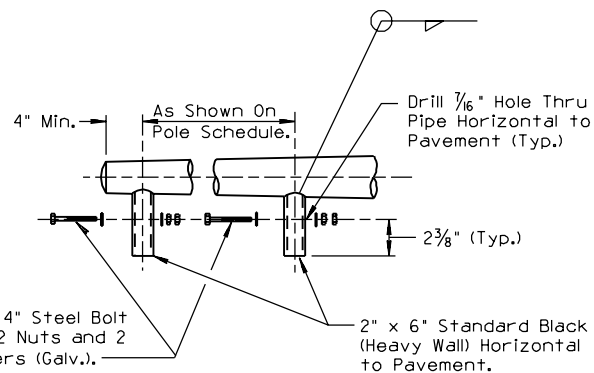
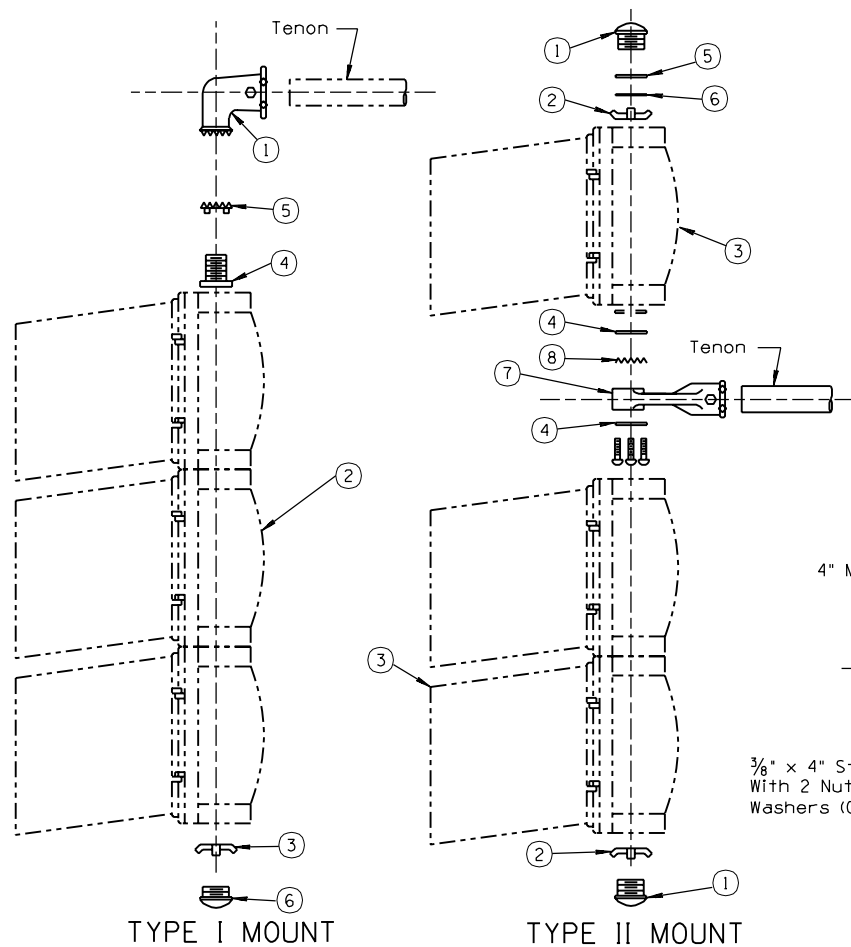
LIST OF MATERIALS

Item	Qty.	Description
1	1	Mast Arm Plumbizer With Locking Device. (See T.S. 10-2)
2	1	Signal Head, See Plans.
3	1	Conduit Locknut.
4	1	1/2" x 1 3/4" Lock Nipple.
5	1	Lock Ring. (See T.S. 10-1-4)
6	1	Ornamental Cap. (See T.S. 10-1-6)

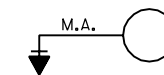
TYPE II MOUNT

LIST OF MATERIALS

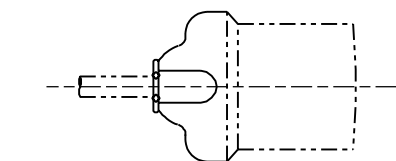
Item	Qty.	Description
1	2	Ornamental Cap. (See T.S. 10-1-6)
2	2	Conduit Locknut.
3	1	Signal Head, See Plans.
4	2	Attaching Washers W/ 3- 1/4-20 UNC x 3 1/2 Carriage Bolts and Nuts.
5	1	Flat Washer.
6	1	Neoprene Washer.
7	1	Elevator Plumbizer. (See T.S. 10-2)
8	1	Lock Washer.



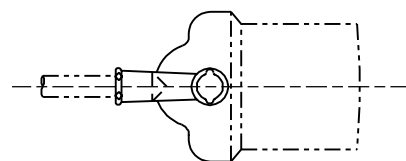
TENON DETAIL



PLAN SYMBOL



MOUNTING ORIENTATION PLAN



MOUNTING ORIENTATION PLAN

DESIGN APPROVED

SIGNATURE

ARIZONA DEPT. OF TRANSPORTATION
INTERMODAL TRANSPORTATION DIVISION
TRAFFIC SIGNALS & LIGHTING
STANDARD DRAWINGS

REV.

APPROVED FOR DISTRIBUTION

ON FILE

TYPE I & II
MOUNTING ASSEMBLIES

DRAWING NO.

T.S. 9-1