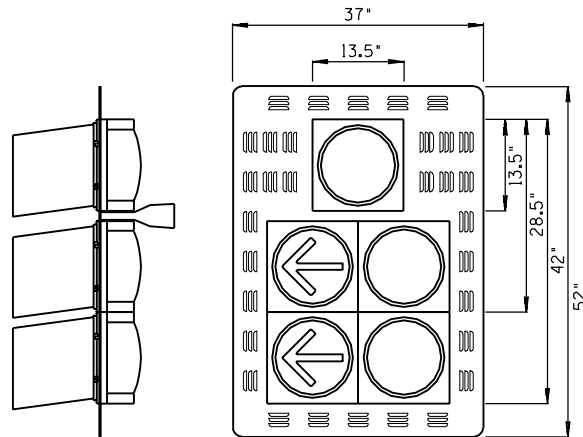
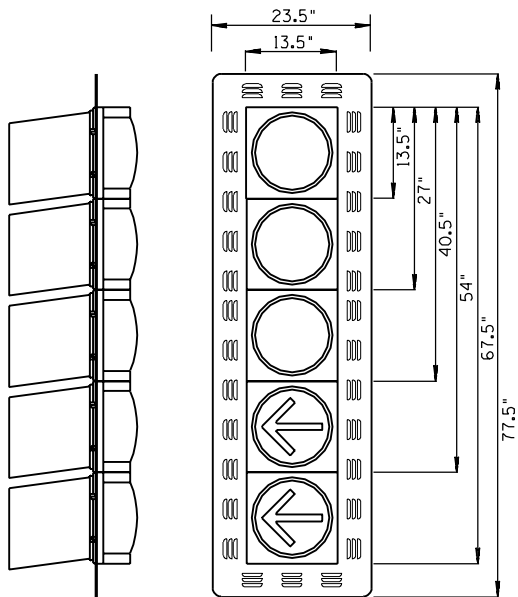


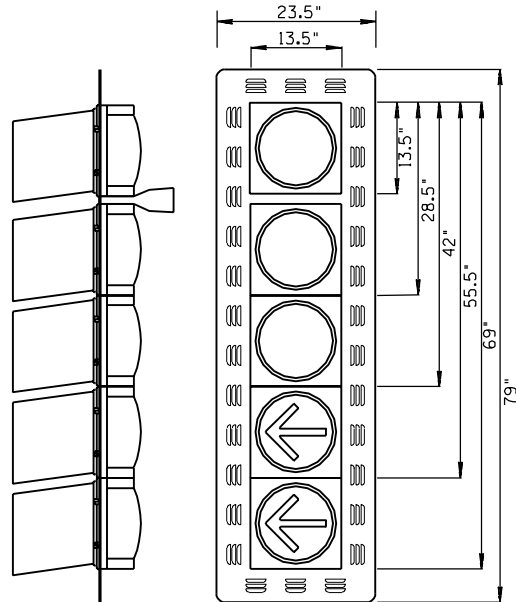
TYPE "Q-2"



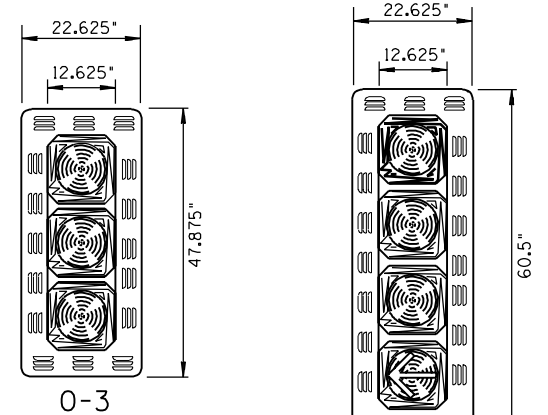
TYPE "Q-2"
(WITH ELEVATOR PLUMBIZER)



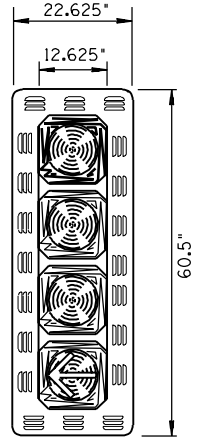
TYPE "Q"



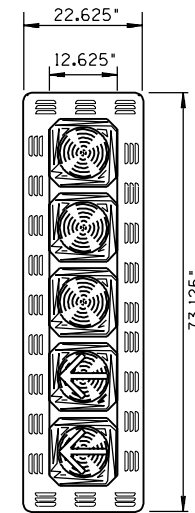
TYPE "Q"
(WITH ELEVATOR PLUMBIZER)



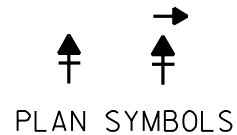
0-3



0-4



0-5



PLAN SYMBOLS

PROGRAMMED VISIBILITY
SIGNAL FACES

NOTES:

1. All materials and construction shall conform to the requirements of the Specifications.
2. All dimensions shown are nominal.
3. Backplates shall be continuous with no open gaps.
4. All signal indications, except the yellow ball, shall be LED modules.
5. All Non-LED lenses shall be Glass.
6. All Backplates shall be Louvered.

DESIGN APPROVED

SIGNATURE

ARIZONA DEPT. OF TRANSPORTATION
INTERMODAL TRANSPORTATION DIVISION
TRAFFIC SIGNALS & LIGHTING
STANDARD DRAWINGS

APPROVED FOR DISTRIBUTION

ON FILE

SIGNAL FACES
WITH BACKPLATES

DRAWING NO.

T.S. 8-3