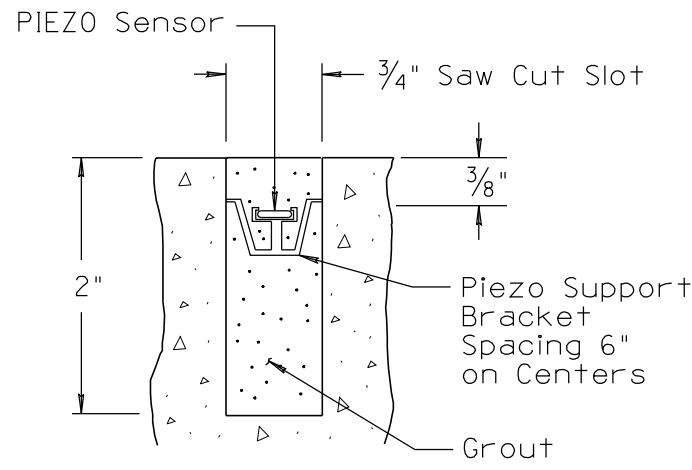
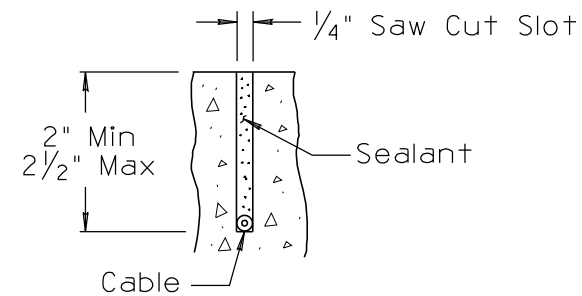


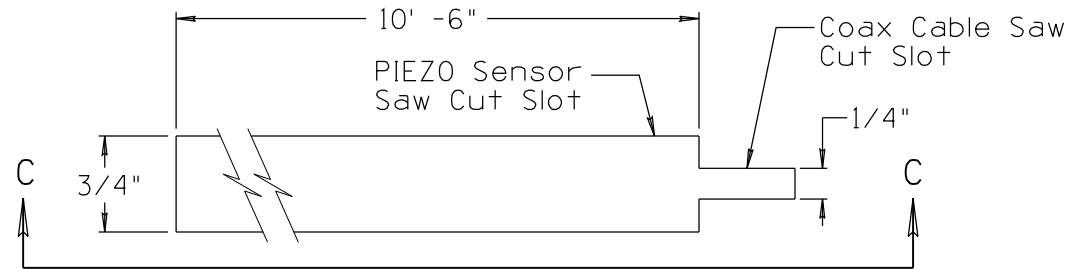
NO	DESCRIPTION OF REVISIONS	DATE	MADE BY
1	REORGANIZED THE SHEETS IN THIS SERIES	12/08	J. GEIST
2	UPDATED FOR RE-ISSUE	3/09	L. LOPEZ
3	UPDATED FOR RE-ISSUE		
4	REVISED DETAILS / FUTURE STANDARD DRAWING T.S. 6-3		



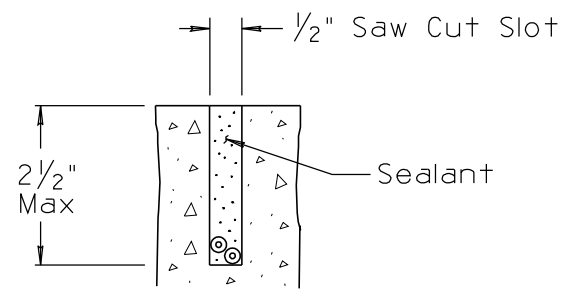
SECTION D-D
(PIEZO Sensor Depth)



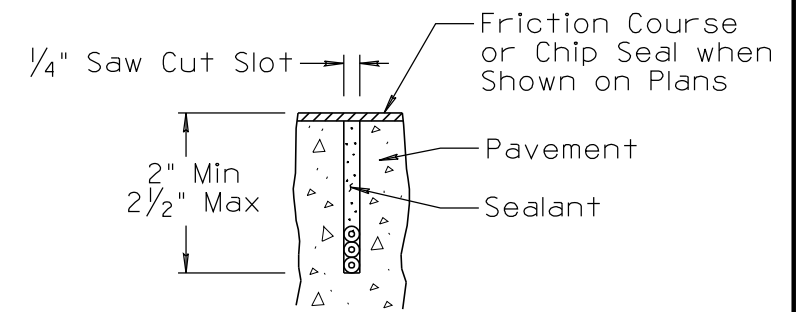
SECTION E-E
(PIEZO Coax Cable Installation)



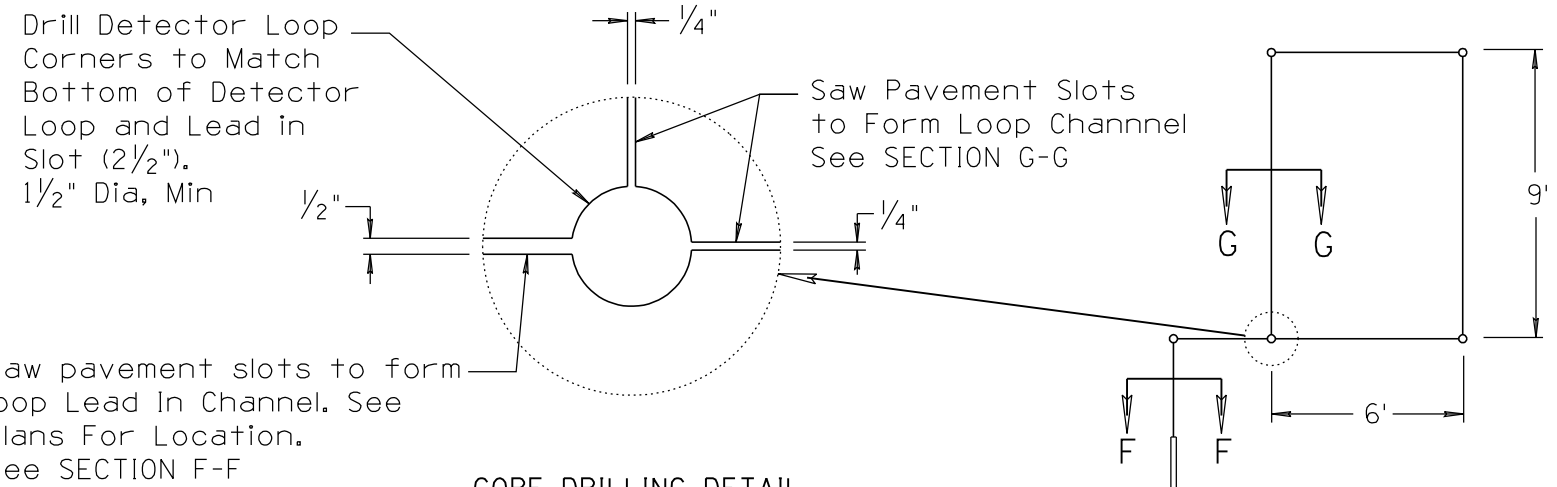
DETAIL A
(Saw Cut Plan View)



SECTION F-F
(Loop Lead-in Installation)

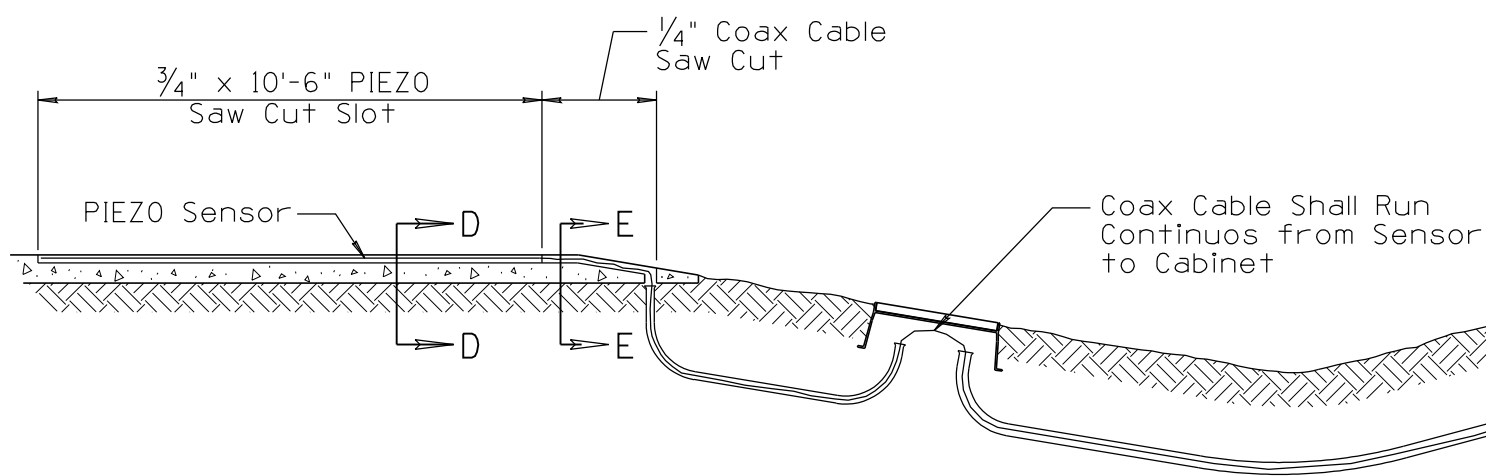


SECTION G-G
(Loop Channel)

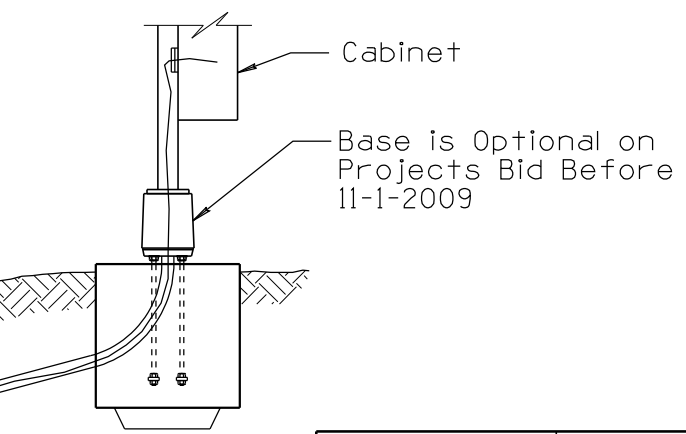


CORE DRILLING DETAIL

SAW CUT LOOP DETAIL



SECTION C-C
(Typical Installation detail for Department PIEZO Assembly)



NOT TO SCALE

DESIGN APPROVED	ARIZONA DEPARTMENT OF TRANSPORTATION INTERMODAL TRANSPORTATION DIVISION TRAFFIC SIGNALS & LIGHTING STANDARD DRAWINGS	REVISION 11/09
SIGNATURES		DRAWING NO. T.S. 7-4
APPROVED FOR DISTRIBUTION	ON FILE	Future T.S. 6-3
	DETECTOR LOOPS AND PIEZOELECTRIC SENSOR DETAILS	SHEET NO. 1 OF 1

\$FILE\$
\$DATE\$
\$TIME\$