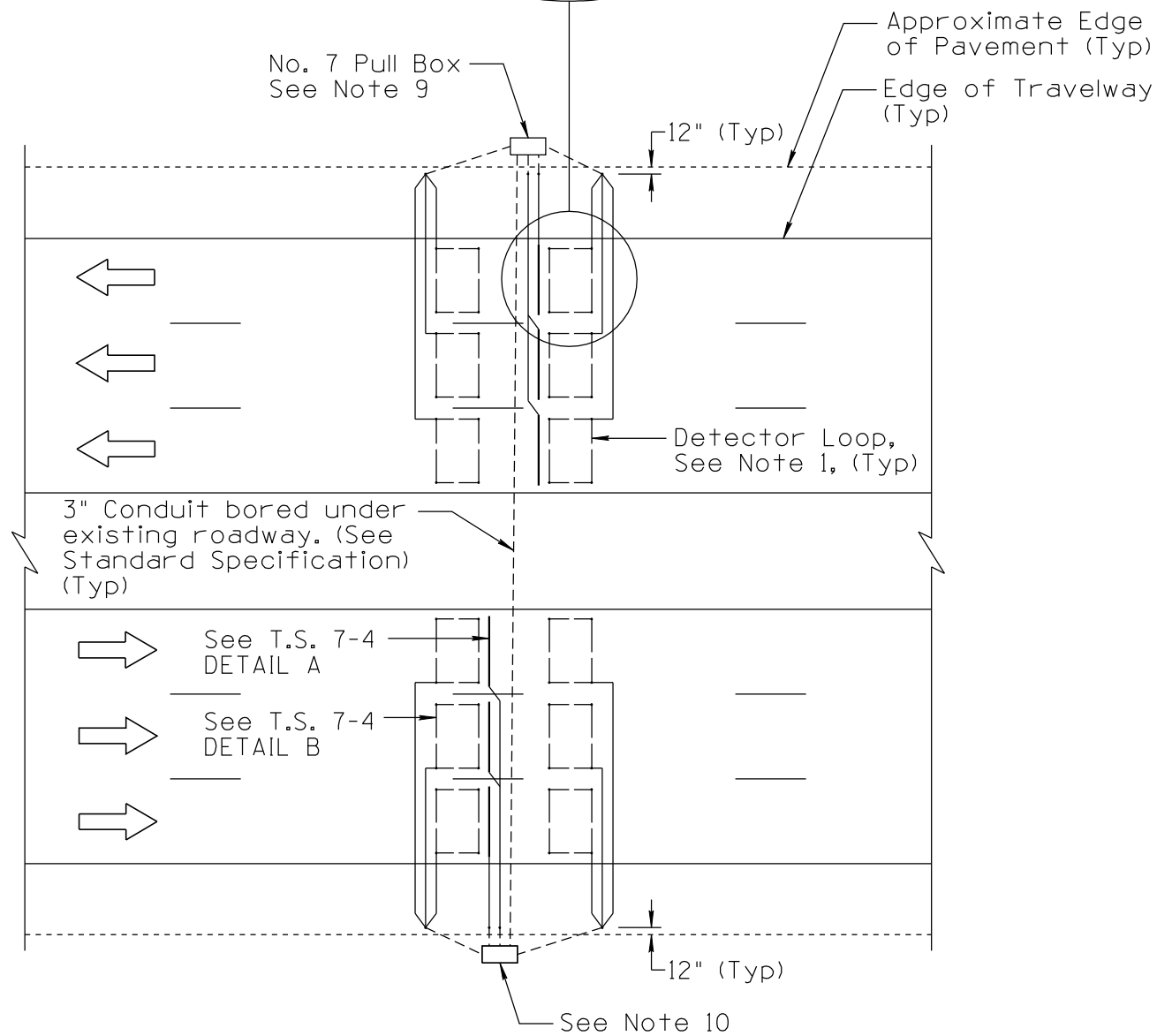
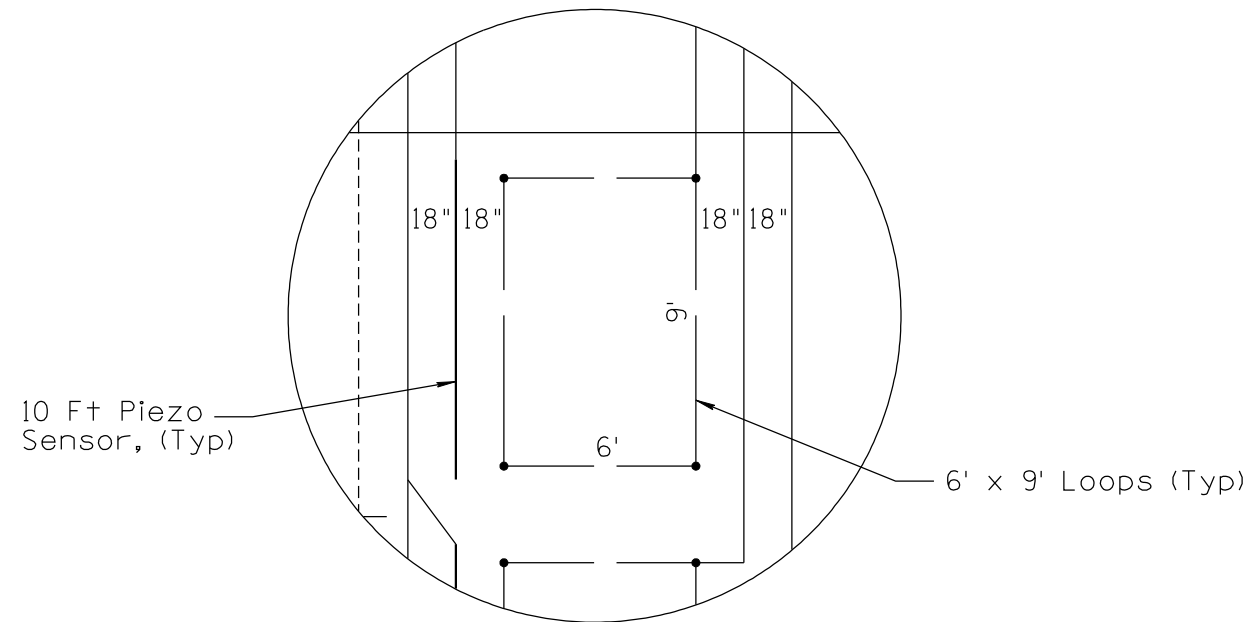
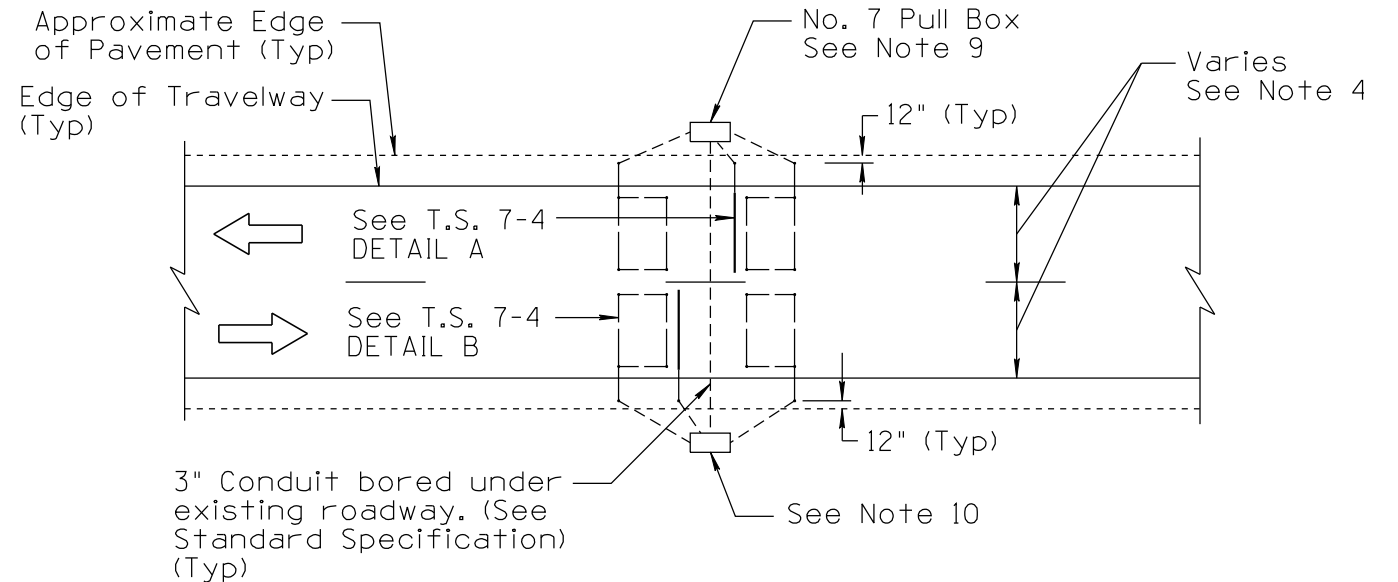


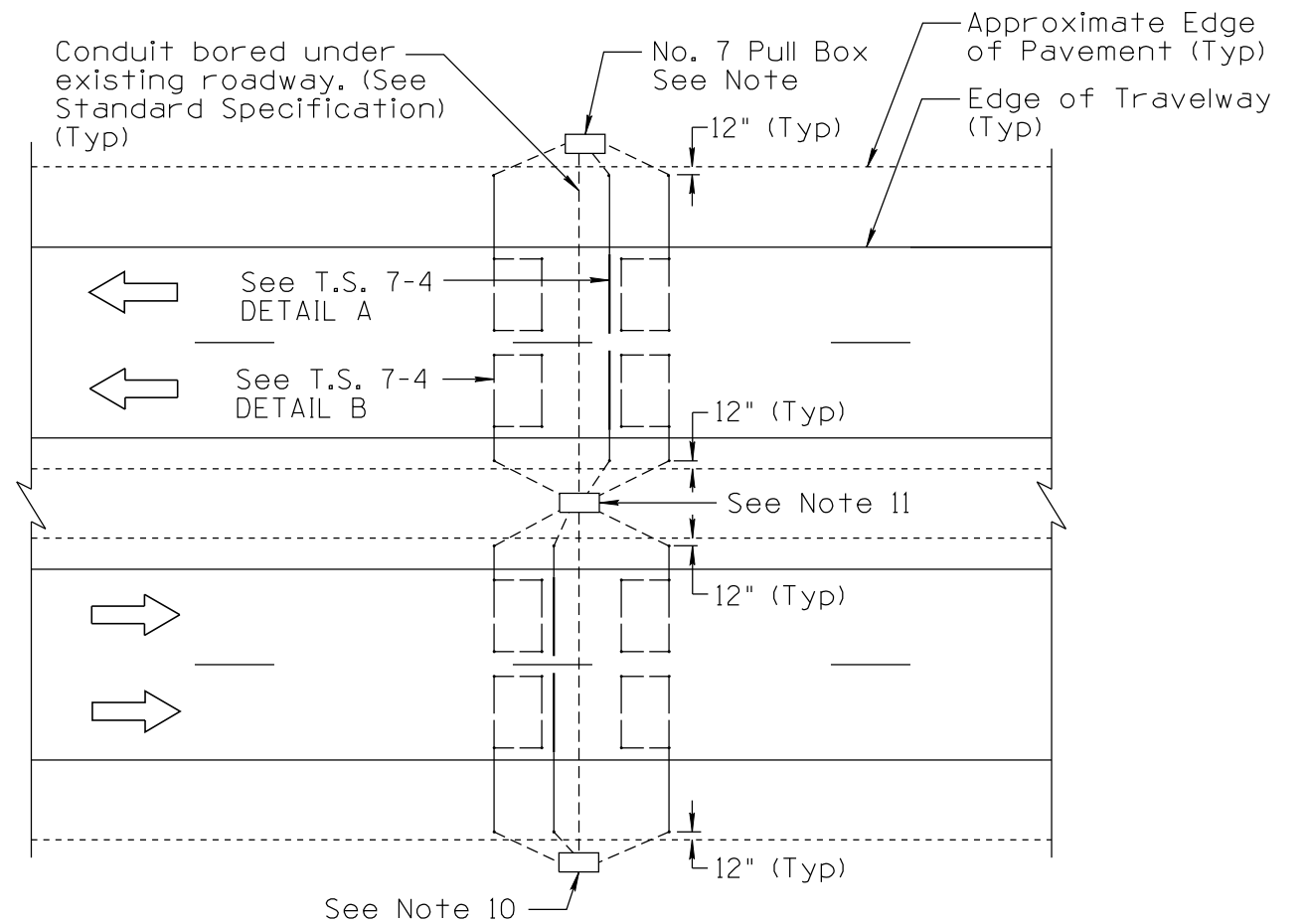
NO	DESCRIPTION OF REVISIONS	DATE	MADE BY
1	REORGANIZED THE SHEETS IN THIS SERIES	12/08	J. GEIST
2	NOTES REVISED	3/09	L. LOPEZ
3	REORGANIZED THE SHEETS IN THIS SERIES	8/09	L. LOPEZ
4	REVISED DETAILS / FUTURE STANDARD DRAWING T.S. 6-2	11/09	C. COLE



VEHICLE CLASS INSTALLATION IN MULTI-LANE DIVIDED HIGHWAY
(With Paved Median)



VEHICLE CLASS INSTALLATION IN UNDIVIDED HIGHWAY



VEHICLE CLASS INSTALLATION IN MULTI-LANE DIVIDED HIGHWAY
(Without Paved Median)

SEE NOTES ON SHEET 2

DESIGN APPROVED	ARIZONA DEPARTMENT OF TRANSPORTATION INTERMODAL TRANSPORTATION DIVISION TRAFFIC SIGNALS & LIGHTING STANDARD DRAWINGS	REVISION 11/09
SIGNATURES		DRAWING NO. T.S. 7-3
APPROVED FOR DISTRIBUTION	ON FILE	Future T.S. 6-2
	SPEED AND VEHICLE CLASS DETECTORS	SHEET NO. 1 OF 2

NOT TO SCALE