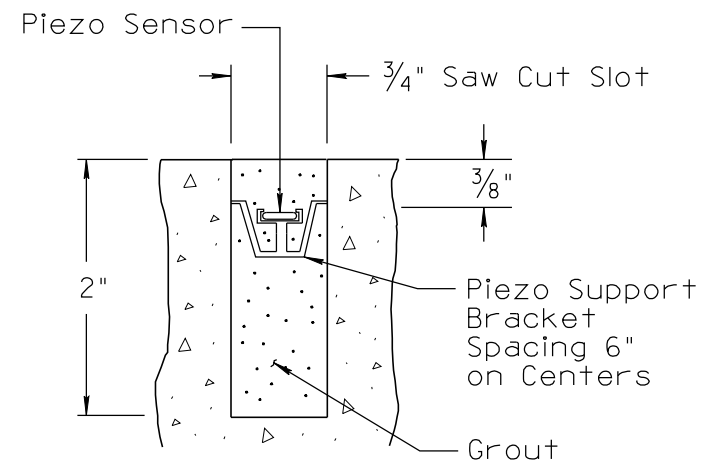
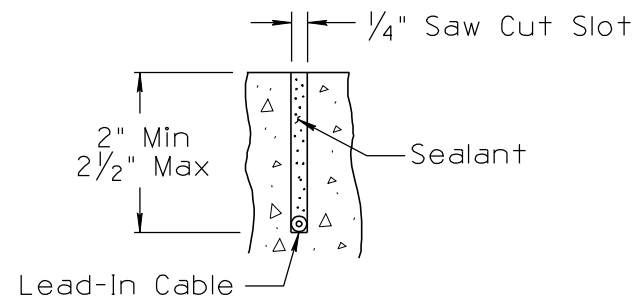


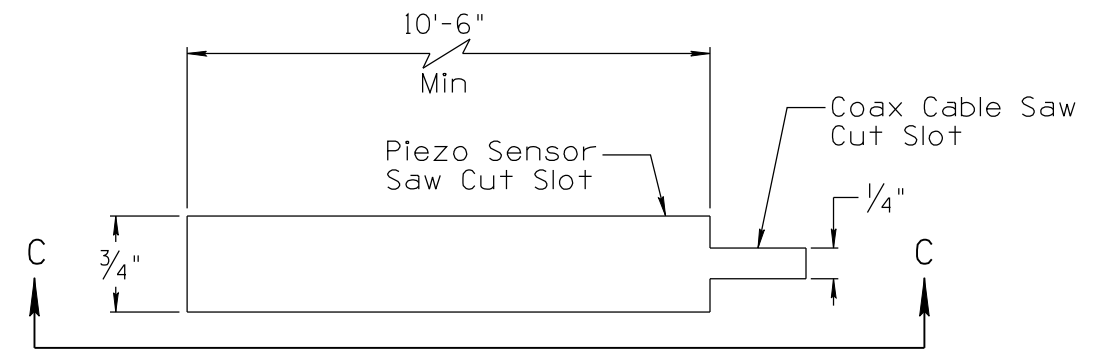
NO	DESCRIPTION OF REVISIONS	MADE BY	DATE	NO
1	2010 EDITION	C. COLE	03/10	3
2	REVISED GRAPHICS	C.C./L.L.	12/12	4



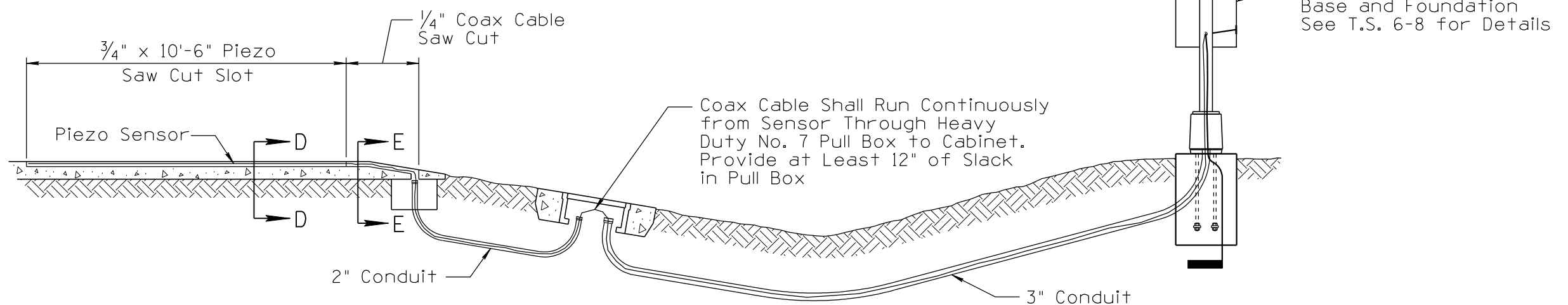
SECTION D-D  
(Piezo Sensor Depth)



SECTION E-E  
(Piezo Coax Cable Installation)



DETAIL A  
(Saw Cut Plan View)



SECTION C-C  
(Typical Installation Details for Piezo Assembly)

NOT TO SCALE

DESIGN APPROVED	ARIZONA DEPARTMENT OF TRANSPORTATION INTERMODAL TRANSPORTATION DIVISION TRAFFIC SIGNALS AND LIGHTING STANDARD DRAWINGS	REVISION	12/12
APPROVED FOR DISTRIBUTION		DRAWING NO.	T.S. 6-4
DETAIL A PIEZOELECTRIC SENSOR DETAILS		SHEET NO.	3 OF 5