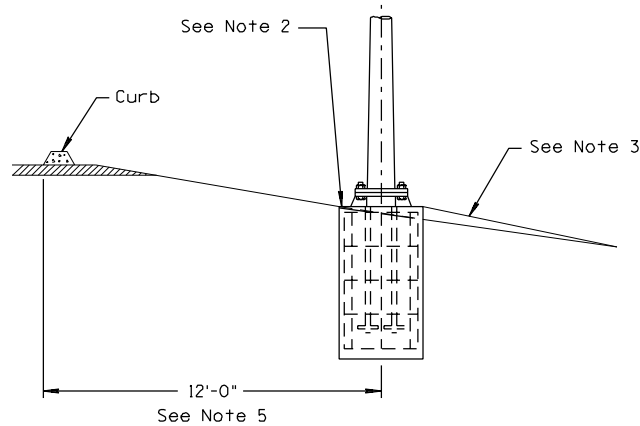
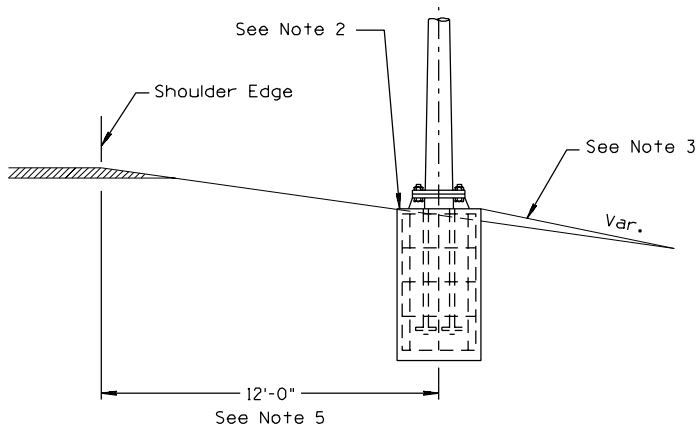
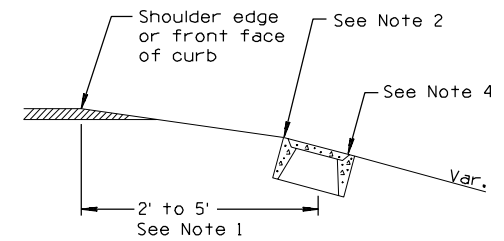


**NOTES:**

1. Dimensions for pull box locations are minimum requirements and may be varied to suit conditions as directed by the Engineer.
2. The top of Pole Foundations shall be flush with the finished grade. Pull boxes should be set to match the existing slope.
3. Fill around Pole Foundations a minimum of 10' on three sides with topsoil or as directed by the Engineer.
4. Pull boxes should be set 1" - 2" above grade in urban future landscaped areas. Vaults (No. 9 pull box) should be set level and filled on three sides with top soil.
5. Pole offset shall comply with the Roadway Design Guide. See pole schedule and plans for actual offset.



DESIGN APPROVED	<b>SIGNATURE</b>	STATE OF ARIZONA DEPARTMENT OF TRANSPORTATION DIVISION OF HIGHWAYS STANDARD DRAWINGS	REV.
APPROVED FOR DISTRIBUTION		<b>ON FILE</b>	HIGHWAY LIGHTING OFFSETS IN CUT AND FILL SECTIONS
		DRAWING NO. T.S.6-1	