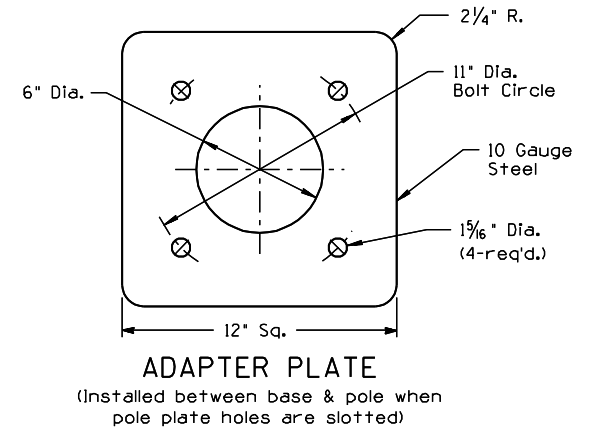
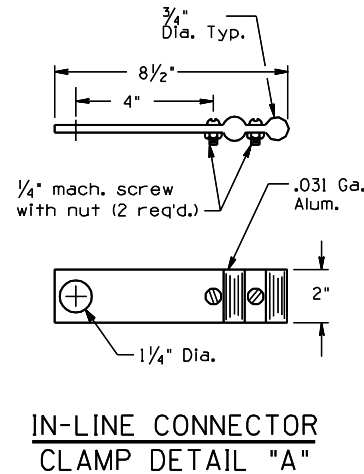
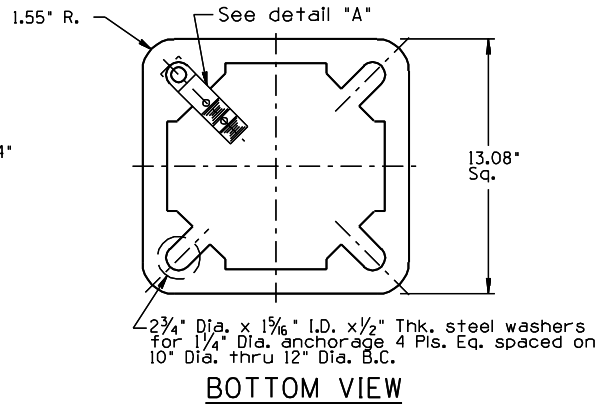
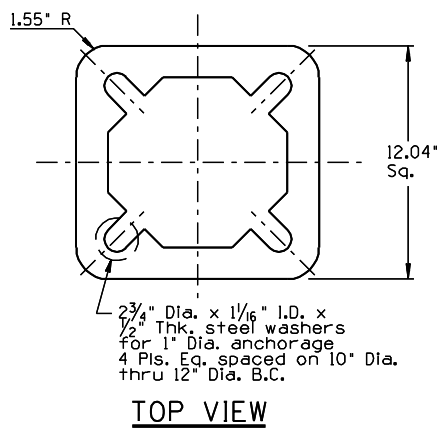


**NOTES:**

1. All materials and construction shall conform to the requirements of the Specifications.
2. Break-away base shall be mounted on 1" Dia. anchor bolts utilizing 1 hex nut, 1 flat washer and 1-2 3/4" Dia. X 1/16" I.D. X 1/2" Thk. steel washer per bolt. The single connector clamp shall utilize a 3/16" flat washer between the hex nut & the connector clamp.
3. The anchor bolt, hex nut and flat washer between the foundation and the Break-Away Base shall be furnished with the light pole.
4. Pole shall be mounted on Break-Away Base with 4-1" Dia. x 4" (8 UNC) high strength bolts (ASTM A325), utilizing 1 hex nut, 1 flat washer and 1-2 3/4" Dia. x 1/16" I.D. x 1/2" Thk. steel washer per bolt, all furnished with the Break-Away Base.
5. The base shall be installed such that the base door is positioned under the mast arm or 180 degrees to the mast arm.
6. Use Un-fused connector for each conductor in Break-Away Base. For details see T.S.I-8.
7. Door supplied with manufacturer's logo in aluminum. Standard 1/4"-20 stainless steel hex screws or vandal screws shall be provided.
8. All 2 3/4" Dia. x 1/16" I.D. x 1/2" Thk washers shall be zinc mechanical coated per ASTM B 695-85 class 50. All other bolts, nuts & washers shall be galvanized per ASTM A153.
9. Base shall be 356 T-6 Aluminum alloy with stainless steel wheelabrated finish.
10. Certifications to be provided by manufacturer when requested.
11. Adhesive caution label to appear on inside wall opposite door opening.



**GENERAL LOADING CRITERIA:**

550 lb. Max. Total Weight; Pole 350 lb.; Mast Arm & Luminaire 200 lb. Max Static Load 40,000 Ft-Lbs. Highway Light Pole & Mast Arm/Luminaire combinations which exceed the loading criteria must be tested and FHWA certified in accordance with the Specifications.

DESIGN APPROVED	ARIZONA DEPT. OF TRANSPORTATION INTERMODAL TRANSPORTATION DIVISION TRAFFIC SIGNALS & LIGHTING STANDARD DRAWINGS	REV. 8/04
APPROVED FOR DISTRIBUTION		DRAWING NO. T.S. 5-1
SIGNATURE ON FILE		TYPE 2 BREAK-AWAY BASE FOR 30' POLE