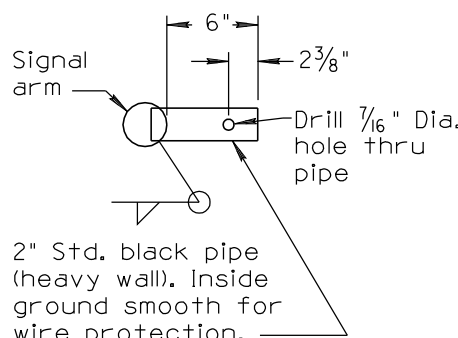
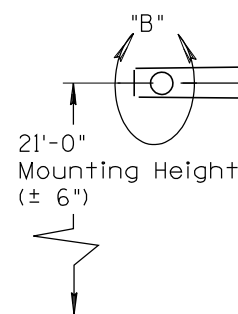
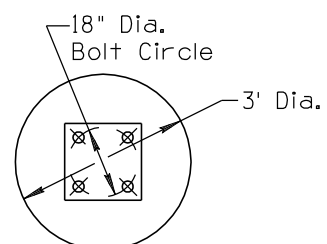


NO	DESCRIPTION OF REVISIONS	MADE BY	DATE
1	ADDED SHEET 2 OF 2	PARSONS BRINCKERHOFF	3/09
2			
3			
4			

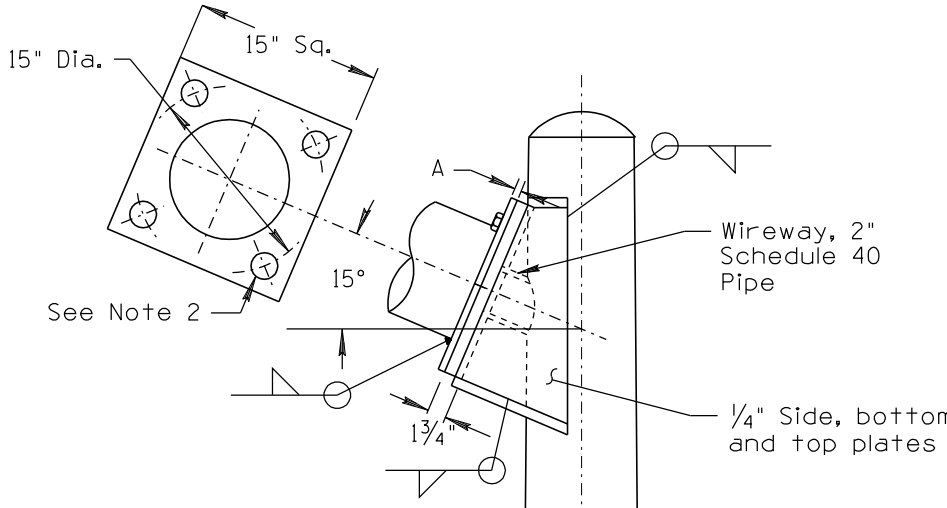
Tapered Mast Arm  
See Table



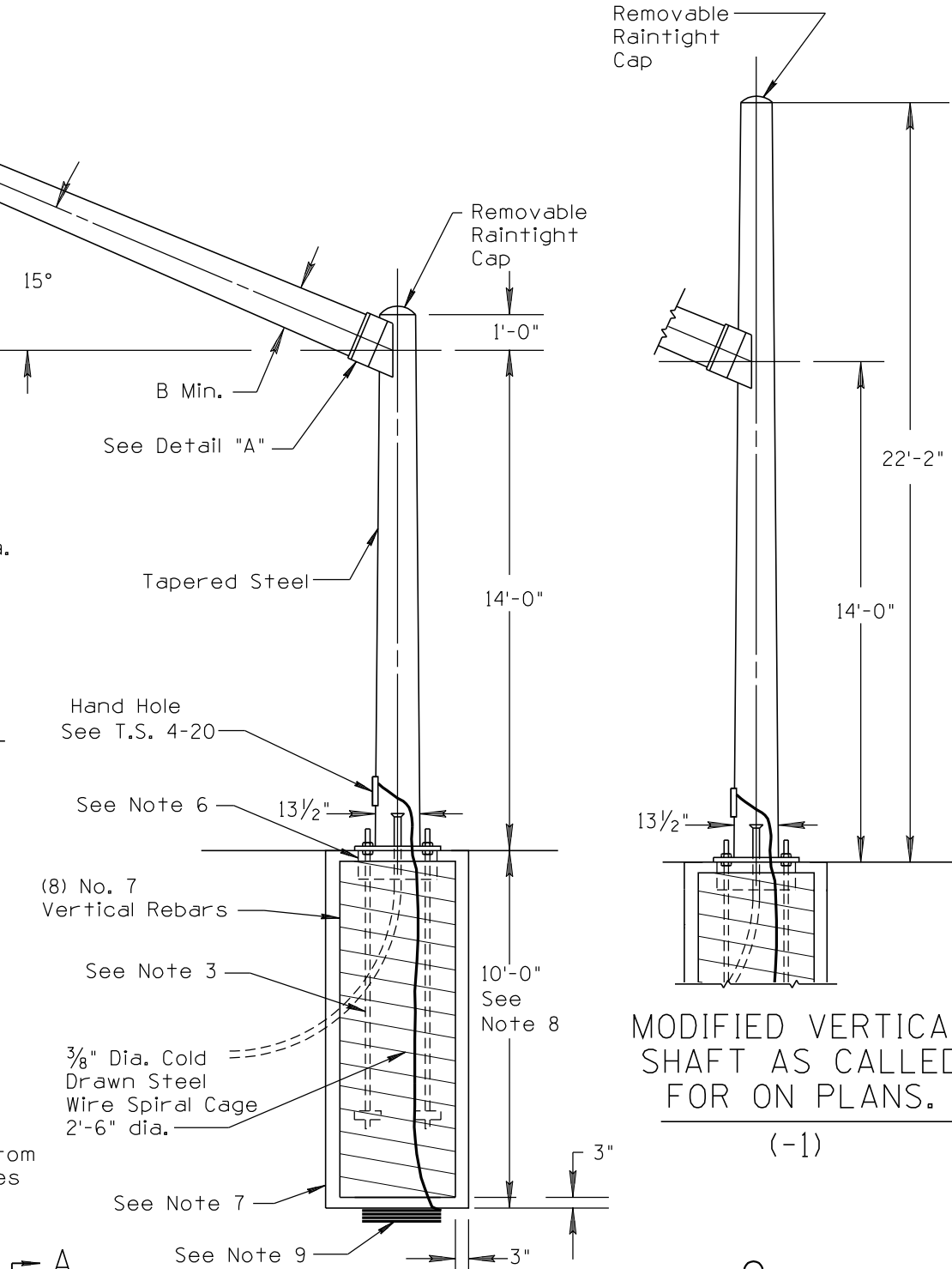
SECTION A-A



FOUNDATION PLAN

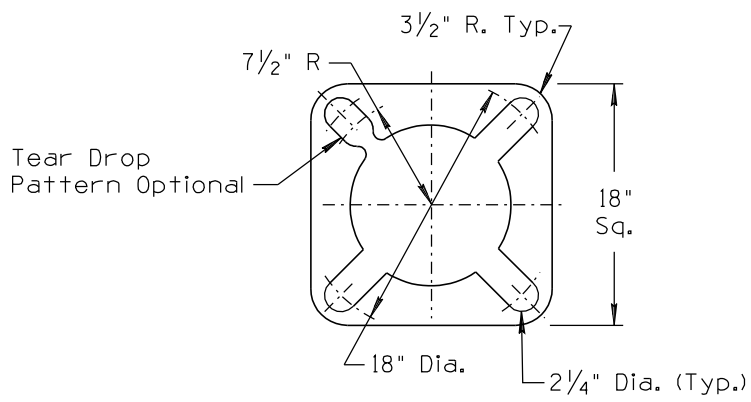


DETAIL "A"



MODIFIED VERTICAL SHAFT AS CALLED FOR ON PLANS.

(-1)



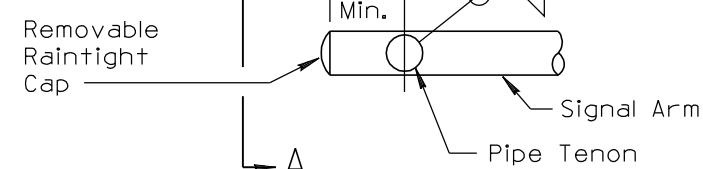
POLE BASE

PLAN SYMBOL

NOTES:

- All materials and construction shall conform to the requirements of the Specifications.
- Mast arms require four 1 1/4" - 7 high strength bolts, ASTM A-325.
- See T.S. 4-23 detail "B" for anchor bolt details. Each anchor bolt shall have four hex nuts and two flat washers, all to be furnished with pole.
- Anchor bolts shall project 4 1/2" above the foundation.
- Conduit shall project a minimum of 2" above the foundation. Maximum projection shall be 4".
- Block out for leveling nuts. See specs. for grout requirements.
- The foundation hole shall be augered and class "S" (3000 psi) concrete poured against undisturbed compacted earth.
- Unstable soil may require deeper foundation. See Specifications.
- A 25' coil of No. 4 AWG bare copper conductor shall be installed before the concrete is poured and connected to pole grounding screw in the hand hole.
- For inboard tenon, when specified, see tenon detail on T.S. 9-1.
- Pole shall comply with 1994 AASHTO loading requirements for Structural Supports for Highway Signs, Luminaires and Traffic Signals.
- All dimensions are nominal.

MAST ARM INFORMATION			
Nom. M.A. Length	45'	50'	55'
A	1 1/2"	1 1/2"	1 1/2"
B	10 1/16"	10 3/4"	11 7/16"



DETAIL "B"

SHEET 1 OF 2  
NOT TO SCALE

DESIGN APPROVED  
**SIGNATURE ON FILE**

ARIZONA DEPARTMENT OF TRANSPORTATION INTERMODAL TRANSPORTATION DIVISION TRAFFIC SIGNALS & LIGHTING STANDARD DRAWINGS	REV. 3/09
TYPE "K" POLE AND MAST ARMS	DRAWING NO. T.S. 4-9