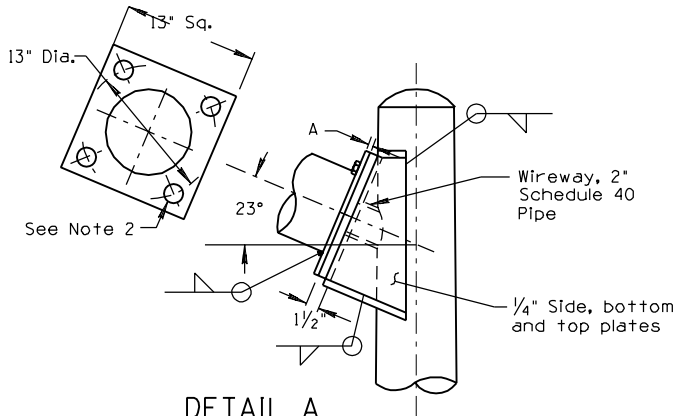
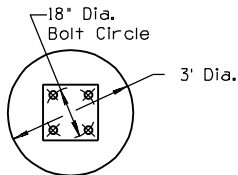


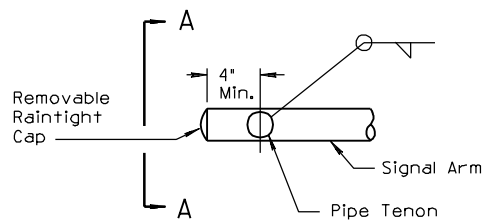
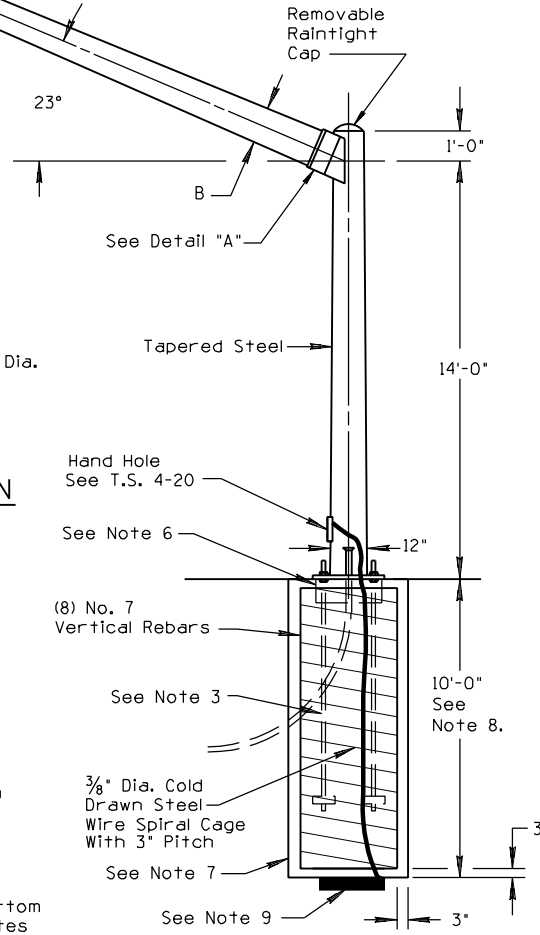
SECTION A-A

FOUNDATION PLAN

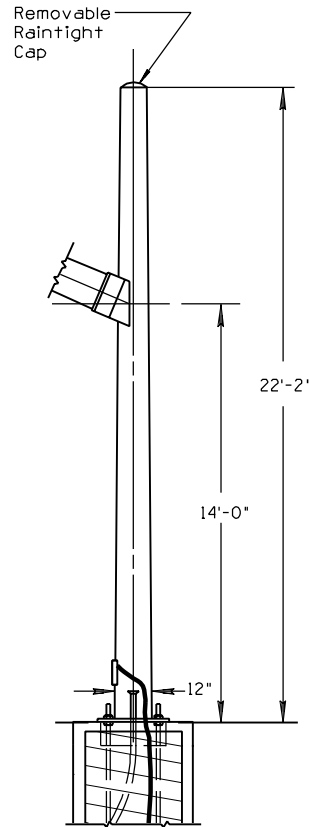


DETAIL A

MAST ARM INFORMATION				
Nom. M.A. Length	25'	30'	35'	40'
A	1"	1"	1 1/4"	1 1/4"
B Min.	7"	8"	8 1/16"	9 3/8"



DETAIL "B"

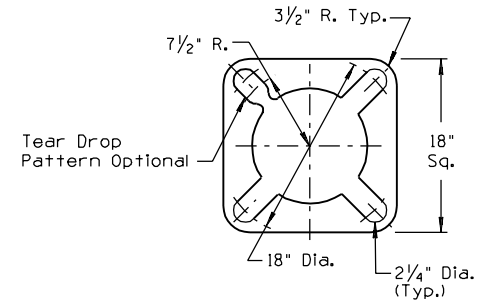


MODIFIED VERTICAL SHAFT AS CALLED FOR ON PLANS.

(-1)

NOTES:

- All materials and construction shall conform to the requirements of the Specifications.
- Signal mast arms require four 1 1/4" - 7 high strength bolts ASTM A-325.
- See T.S. 4-23 detail "B" for anchor bolt details. Each anchor bolt shall have four hex nuts and two flat washers, all to be furnished with pole.
- Anchor bolts shall project 4 1/2" above the foundation.
- Conduit shall project a minimum of 3" above the foundation. Maximum projection shall be 5".
- Block out for leveling nuts. See specs. for grout requirements.
- The foundation hole shall be augered and class "S" (3000 psi) concrete poured against undisturbed compacted earth.
- Unstable soil may require deeper foundation. See Specifications.
- A 25' coil of No. 4 AWG bare copper conductor shall be installed before the concrete is poured and connected to pole grounding screw in the hand hole.
- For inboard tenon, when specified, see tenon detail on T.S.9-1.
- Pole shall comply with 1994 AASHTO loading requirements for Structural Supports for Highway Signs, Luminaires and Traffic Signals.
- All dimensions are nominal.



POLE BASE



PLAN SYMBOL

DESIGN APPROVED	SIGNATURE	ARIZONA DEPT. OF TRANSPORTATION	REV.
APPROVED FOR DISTRIBUTION		INTERMODAL TRANSPORTATION DIVISION	
	ON FILE	TRAFFIC SIGNALS & LIGHTING	
		STANDARD DRAWINGS	
		TYPE "J" POLE AND MAST ARMS	DRAWING NO. T.S. 4-8