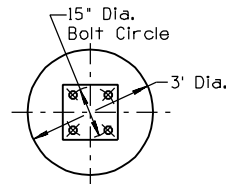


STD. POLE BASE  
HALF SECTION AND ELEVATION

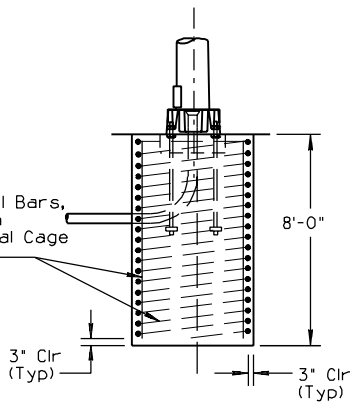


FOUNDATION PLAN

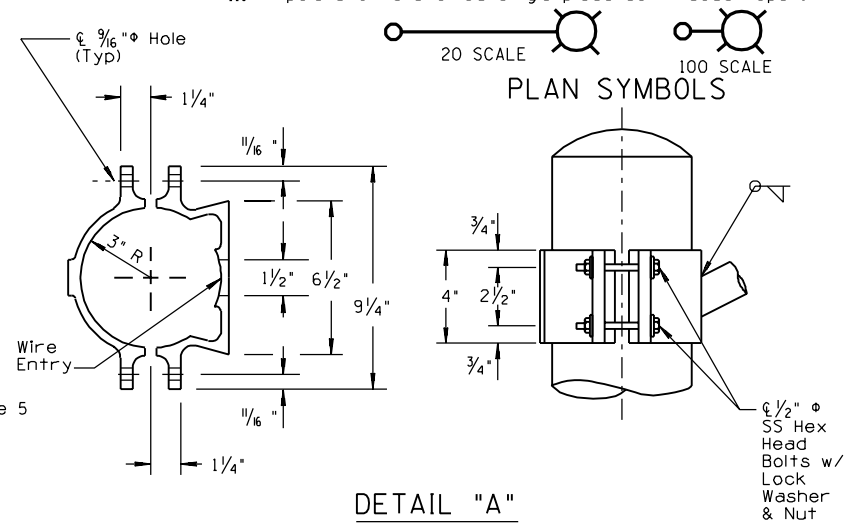
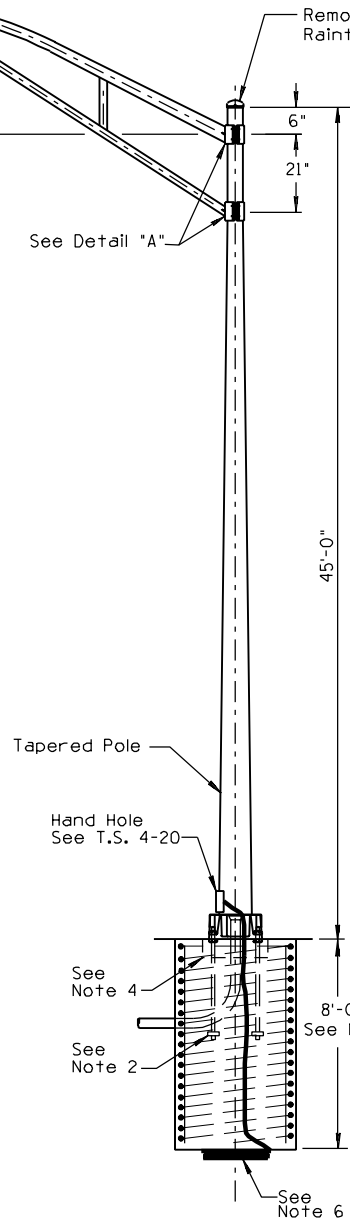
MAST ARM INFORMATION		
Length	Rise	Min.* Thick.
6'	2' Thru 4'	0.125"
10'	2' Thru 4'	0.125"
15'	2' Thru 4'	0.125"
20'	4' Thru 6'	0.125"

\* Min thickness of vertical member in mast arm = 0.1563"

8-No. 7 Vertical Bars,  
3/8" Cold Drawn  
Steel Wire Spiral Cage  
With 3" pitch.



FOUNDATION DETAIL



**NOTES:**

1. All materials and construction shall conform to the requirements of the Standard Specifications and Special Provisions.
2. See T.S. 4-23 Detail "B" for anchor bolt details. Each anchor bolt shall have four hex nuts, two flat washers, and two anchor plates, all to be furnished with the pole.
3. Anchor bolts shall project 3" above the foundation.
4. Block out for leveling nuts. See Standard Specifications for grout requirements.
5. Unstable soil may require deeper foundation. See Standard Specifications.
6. A 25' coil of No. 4 AWG bare copper conductor shall be installed before the concrete is poured and connected to pole grounding screw in the hand hole.
7. Conduit shall project a minimum of 2" above the foundation, Maximum projection shall be 4".
8. The foundation hole shall be augered and class "S" (3000 psi) concrete poured against undisturbed earth.
9. Pole shall comply with 1994 AASHTO loading requirements for Structural Supports for Highway Signs, Luminaires and Traffic Signals.
10. All dimensions are nominal.
11. All pole shafts shall be single piece continuous taper.

DESIGN APPROVED	<b>SIGNATURE</b>	ARIZONA DEPT. OF TRANSPORTATION	REV.
APPROVED FOR DISTRIBUTION		INTERMODAL TRANSPORTATION DIVISION	
	<b>ON FILE</b>	TRAFFIC SIGNALS & LIGHTING	
		STANDARD DRAWINGS	
		ALUMINUM TYPE "I" POLE	DRAWING NO.
		AND MAST ARMS	T.S. 4-7