

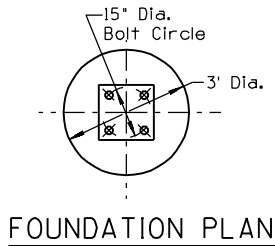
STD. POLE BASE  
HALF SECTION AND ELEVATION

| MAST ARM INFORMATION |            |              |
|----------------------|------------|--------------|
| Length               | Rise       | Min.* Thick. |
| 6'                   | 2' Thru 4' | 0.125"       |
| 10'                  | 2' Thru 4' | 0.125"       |
| 15'                  | 2' Thru 4' | 0.125"       |
| 20'                  | 4' Thru 6' | 0.125"       |

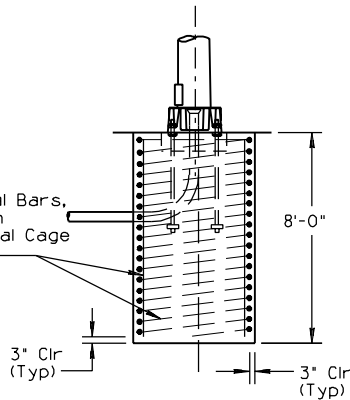
\* Min thickness of vertical member in mast arm = 0.1563"

8-No. 7 Vertical Bars,  
3/8" Cold Drawn  
Steel Wire Spiral Cage  
With 3" pitch.

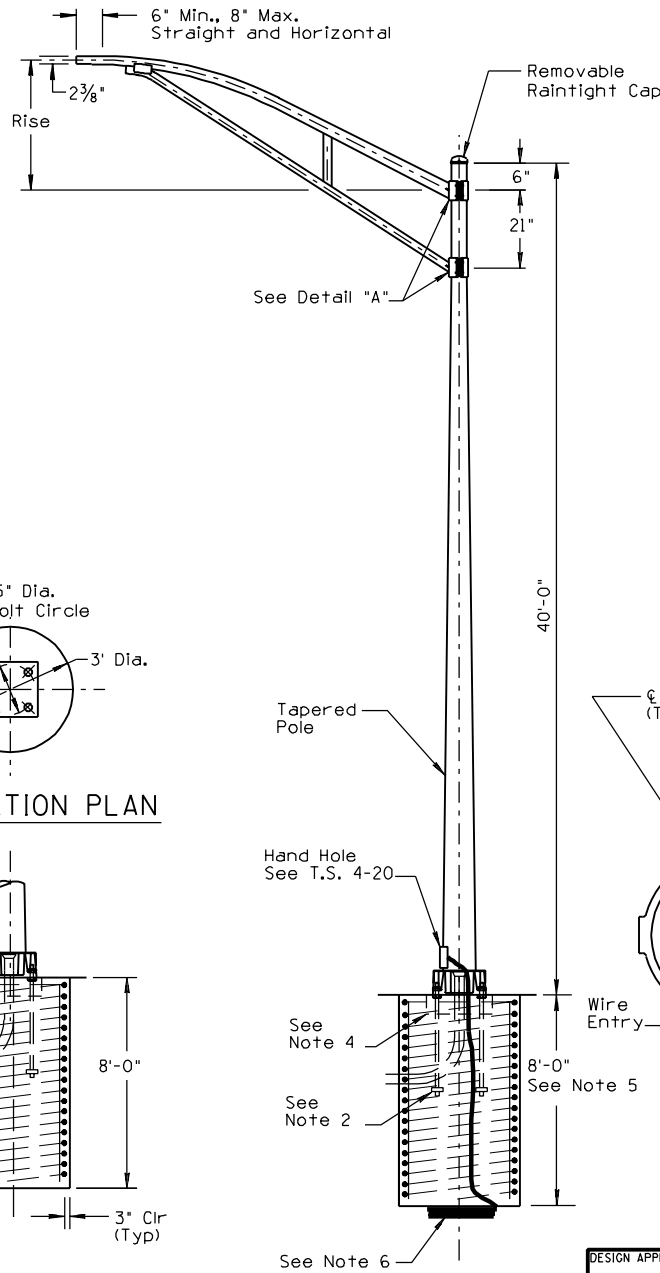
3" Clr (Typ)



FOUNDATION PLAN

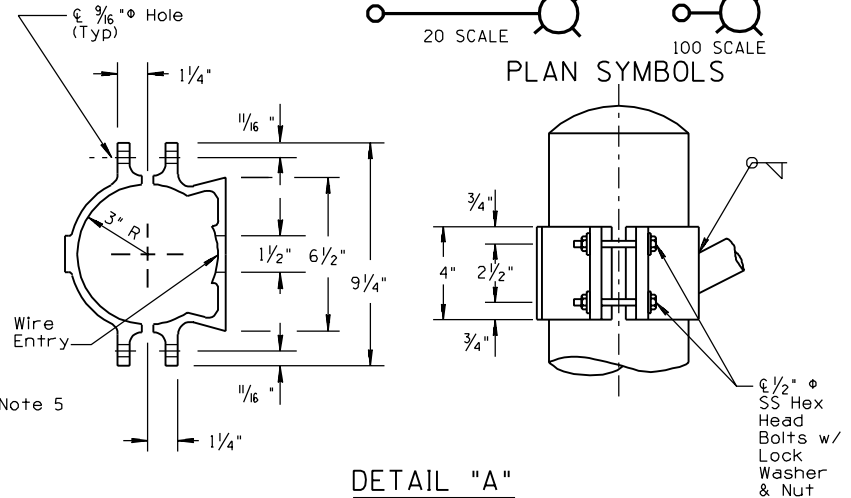


FOUNDATION DETAIL



NOTES:

- All materials and construction shall conform to the requirements of the Standard Specifications and Special Provisions.
- See T.S. 4-23 Detail "B" for anchor bolt details. Each anchor bolt shall have four hex nuts, two flat washers, and two anchor plates, all to be furnished with the pole.
- Anchor bolts shall project 3" above the foundation.
- Block out for leveling nuts. See Standard Specifications for grout requirements.
- Unstable soil may require deeper foundation. See Standard Specifications.
- A 25' coil of No. 4 AWG bare copper conductor shall be installed before the concrete is poured and connected to pole grounding screw in the hand hole.
- Conduit shall project a minimum of 2" above the foundation, Maximum projection shall be 4".
- The foundation hole shall be augered and class "S" (3000 psi) concrete poured against undisturbed earth.
- Pole shall comply with 1994 AASHTO loading requirements for Structural Supports for Highway Signs, Luminaires and Traffic Signals.
- All dimensions are nominal.
- All pole shafts shall be single piece continuous taper.



DETAIL "A"



|                           |                  |  |                         |
|---------------------------|------------------|--|-------------------------|
| DESIGN APPROVED           | <b>SIGNATURE</b> | ARIZONA DEPT. OF TRANSPORTATION<br>INTERMODAL TRANSPORTATION DIVISION<br>TRAFFIC SIGNALS & LIGHTING<br>STANDARD DRAWINGS | REV.                    |
| APPROVED FOR DISTRIBUTION | <b>ON FILE</b>   | ALUMINUM TYPE "H" POLE<br>AND MAST ARMS  | DRAWING NO.<br>T.S. 4-6 |