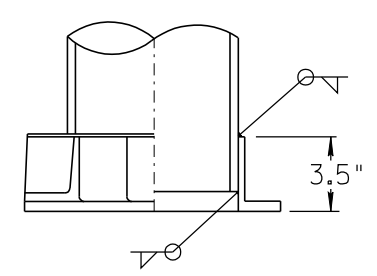
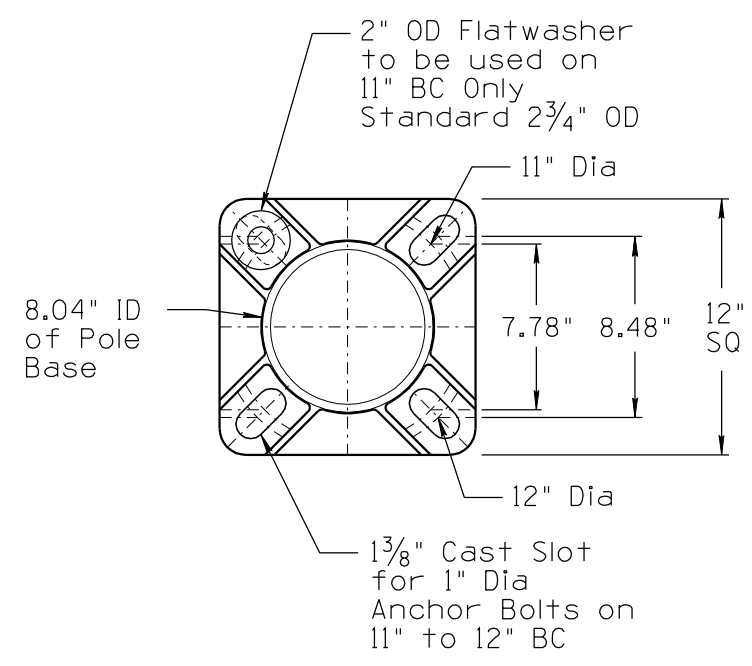
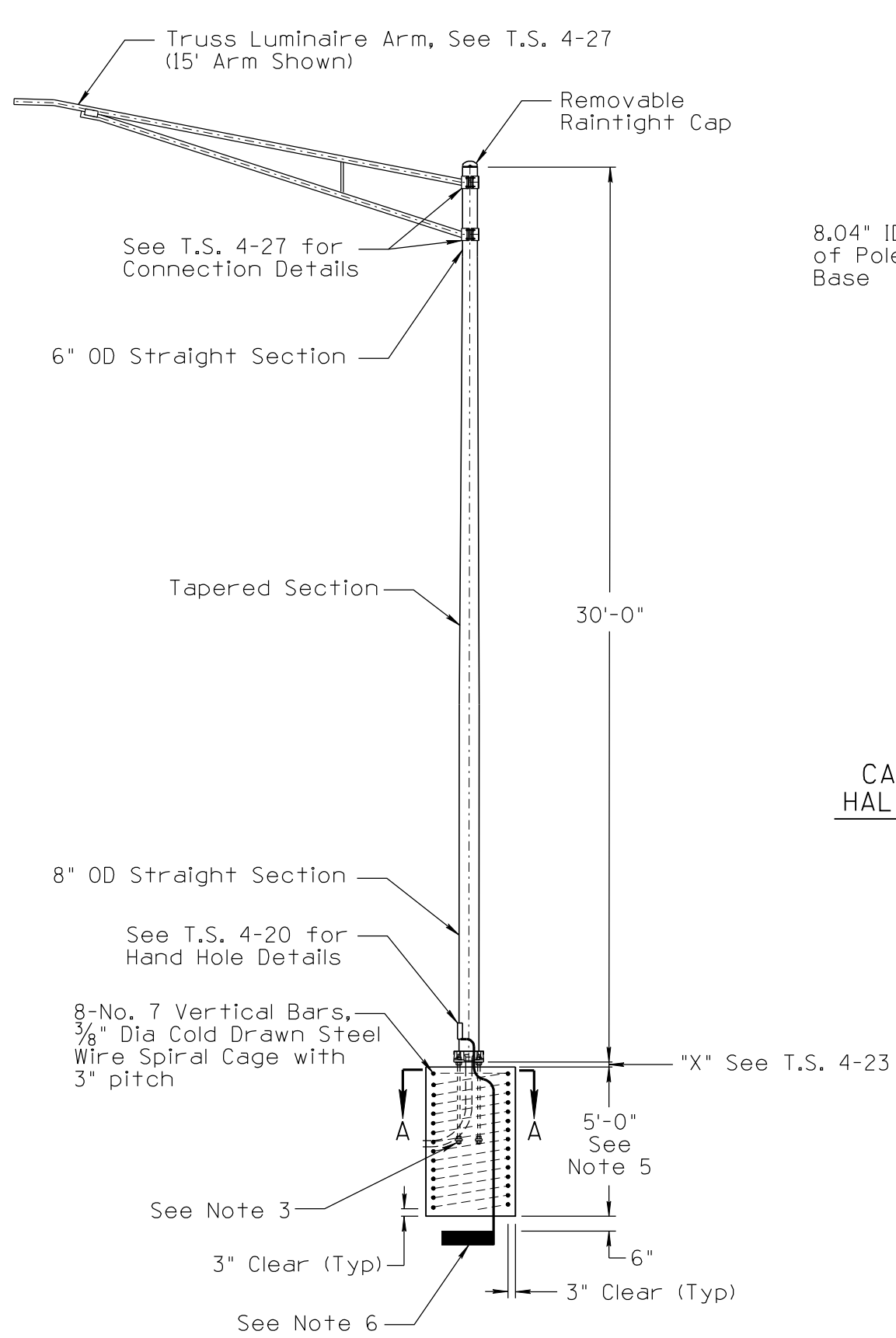
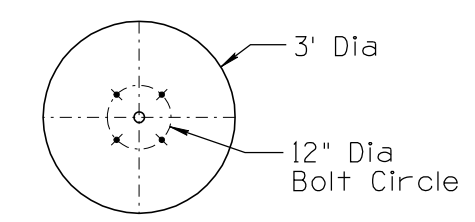


NO	1	2010 EDITION	NO	3	4
DESCRIPTION OF REVISIONS			DATE	03/10	
MADE BY	C. COLE		DATE		
MADE BY			DATE		
DESCRIPTION OF REVISIONS			DATE		
MADE BY			DATE		
DESCRIPTION OF REVISIONS			DATE		
MADE BY			DATE		



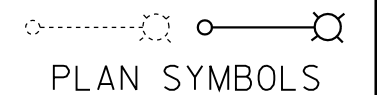
CAST ALUMINUM POLE BASE
HALF SECTION AND ELEVATION



SECTION A-A

NOTES:

1. All materials and construction shall conform to the requirements of the Specifications.
2. Pole shall comply with 1994 AASHTO loading requirements for Structural Supports for Highway Signs, Luminaires and Traffic Signals.
3. See T.S. 4-23 for anchor bolt details.
4. The foundation hole shall be augered and Class "S" (3000 PSI) concrete, poured against undisturbed compacted earth.
5. Unstable soil and/or steep slope may require deeper foundation. See Specifications.
6. A 25' coil of #4 AWG bare copper conductor or a 14" square copper ground plate shall be installed before the concrete is poured and connected to pole grounding lug in the hand hole. The ground or coil shall be covered with 6" of fill.
7. All dimensions are nominal.
8. Pole is suitable for use with a single luminaire that has a maximum weight of 55 pounds and a projected area of 1.6 square feet.
9. The Length of strait and tapered sections on the pole shaft will vary between manufacturers.
10. Once the pole installation is completed the open space between the base plate and foundation shall be grouted.



DESIGN APPROVED	ARIZONA DEPARTMENT OF TRANSPORTATION INTERMODAL TRANSPORTATION DIVISION TRAFFIC SIGNALS AND LIGHTING STANDARD DRAWINGS	REVISION	03/10
APPROVED FOR DISTRIBUTION		DRAWING NO.	T.S. 4-5
ALUMINUM TYPE "G" POLE		SHEET NO.	1 OF 1

NOT TO SCALE