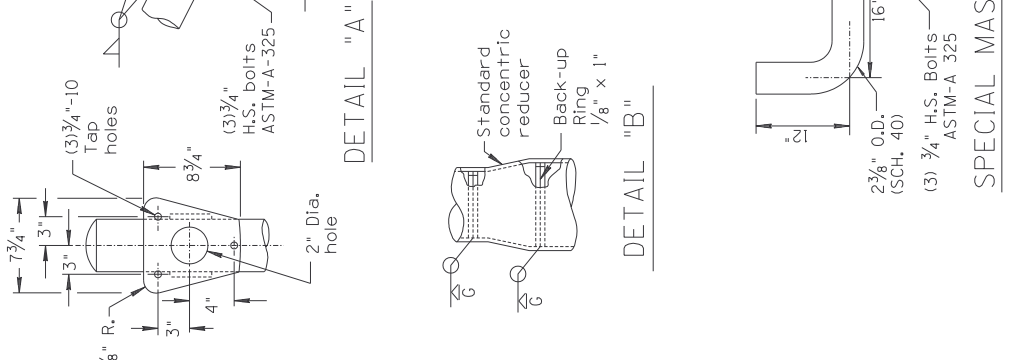


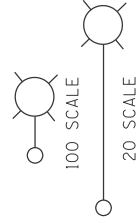
SPECIAL MAST ARM BRACKET (-1)

MAST ARM INFORMATION

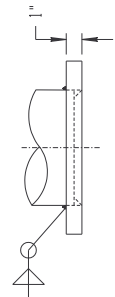
TAPERED MAST ARM Length	TAPERED MAST ARM Rise	"D" Min.	STEP TAPERED MAST ARM	
			Rise	Pipe Dia. Thickness and Length
6'	2'-0"	3/4"	2'-0"	2.0" x .154" x 6'-0"
8'	2'-6"	3/2"	2'-6"	2.0" x .154" x 8'-0"
10'	3'-8"	3 3/16"	3'-8"	2.5" x .120" x 10'-0"
12'	4'-3"	4/16"	4'-3"	2.5" x .120" x 12'-0"
15'	4'-9"	4/4"	4'-9"	2.5" x .120" x 7'-0" & 3.0" x .156" x 8'-0"
18'	5'-9"	5 3/4"	5'-9"	2.5" x .120" x 9'-0" & 3.0" x .156" x 9'-0"
20'	5'-9"	5 1/4"	5'-9"	2.5" x .120" x 10'-0" & 3.0" x .156" x 10'-0"



FOUNDATION PLAN



PLAN SYMBOLS



POLE BASE

NOTES:

- All materials and construction shall conform to the requirements of the Specifications.
- Pole, mast arm, and other parts shall have a protective finish as given in the Specifications.
- See T.S. 4-23 detail "B" for anchor bolt details. Each anchor bolt shall have four hex nuts and two flat washers, all to be furnished with pole.
- Anchor bolts shall project 3" above the foundation.
- Block out for leveling nuts. See specs. for grout requirements.
- Unstable soil may require deeper foundation. See Specifications.
- A 25' coil of No. 4 AWC bare copper conductor shall be installed before the concrete is poured and connected to pole grounding screw in the hand hole.
- Conduit shall project a minimum of 2" above the foundation. Maximum projection shall be 4".
- The foundation hole shall be augered and class "S" (3000 psi) concrete poured against undisturbed compacted earth.
- Pole shall comply with 1994 AASHTO loading requirements for Structural Supports for Highway Signs, Luminaires and Traffic Signals.
- All dimensions are nominal.

DESIGN APPROVED

APPROVED FOR DISTRIBUTION

ARIZONA DEPT. OF TRANSPORTATION  
INTERMODAL TRANSPORTATION DIVISION  
TRAFFIC SIGNALS & LIGHTING  
STANDARD DRAWINGS

REV. 9/04

**SIGNATURE**

**ON FILE**

TYPE "G" POLE AND MAST ARMS

DRAWING NO. T.S. 4-4