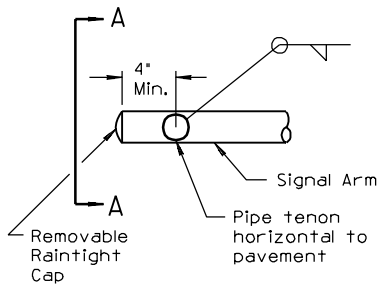
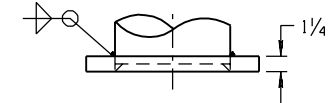
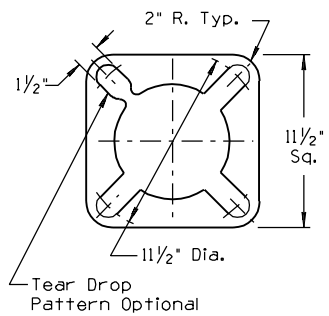
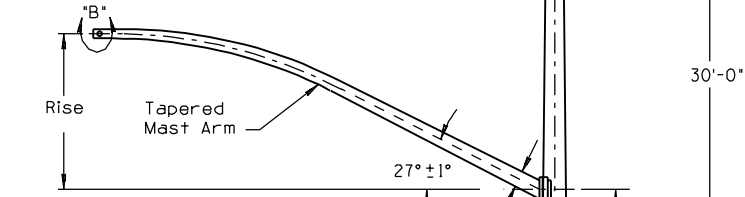


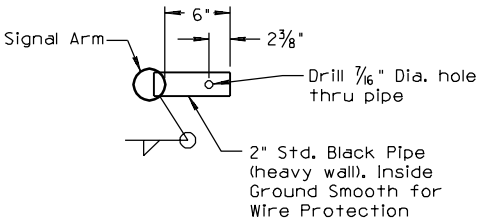
DETAIL "A"



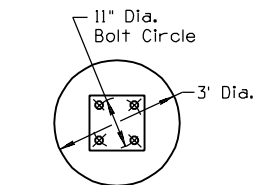
DETAIL "B"



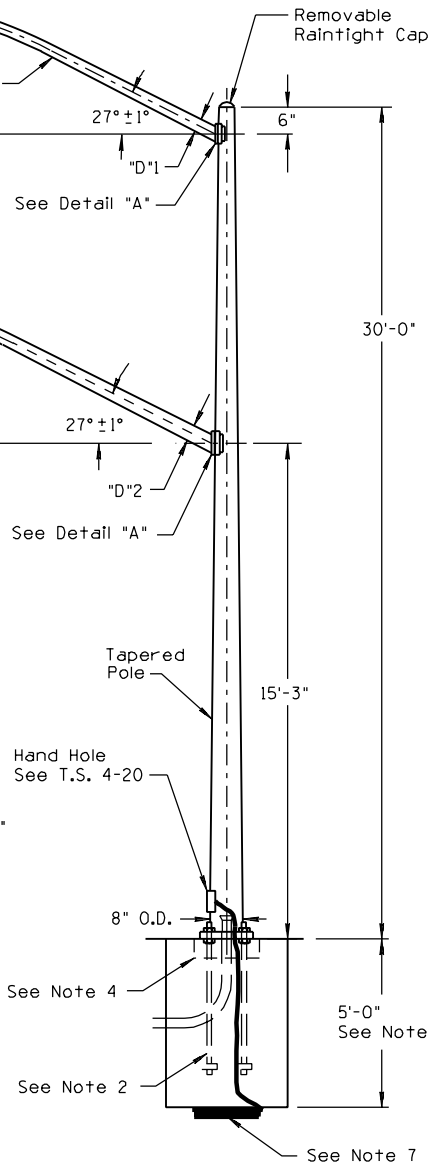
POLE BASE



SECTION A-A



FOUNDATION PLAN



NOTES:

1. All materials and construction shall conform to the requirements of the Specifications.
2. See T.S. 4-23 detail "B" for anchor bolt details. Each anchor bolt shall have four hex nuts and two flat washers, all to be furnished with pole.
3. Anchor bolts shall project 3" above the foundation.
4. Block out for leveling nuts. See specs. for grout requirements.
5. Conduit shall project a minimum of 2" above the foundation. Maximum projection shall be 4".
6. Unstable soil may require deeper foundation. See Specifications.
7. A 25' coil of No. 4 AWG bare copper conductor shall be installed before the concrete is poured and connected to pole grounding screw in the hand hole.
8. For inboard tenon, when specified, see tenon detail on T.S. 9-1.
9. The foundation hole shall be augered and class "S" (3000 psi) concrete poured against undisturbed compacted earth.
10. This Traffic Signal Pole is for special applications only, and must be approved for design use by ADOT Traffic Engineering.
11. Pole shall comply with 1994 AASHTO loading requirements for Structural Support for Highway Signs, Luminaires and Traffic Signals.
12. All dimensions are nominal.



MAST ARM INFORMATION

Length	Rise	"D1" Min.	"D2" Min.
6'	2'-0"	3/4"	---
8'	2'-6"	3/2"	---
10'	3'-4"	3 1/16"	---
12'	4'-3"	4/16"	4 5/16"
15'	4'-9"	4/4"	5 5/16"
18'	5'-9"	5 3/4"	5 5/16"
20'	5'-9"	5 1/4"	5 1/4"

DESIGN APPROVED	SIGNATURE	ARIZONA DEPT. OF TRANSPORTATION INTERMODAL TRANSPORTATION DIVISION TRAFFIC SIGNALS & LIGHTING STANDARD DRAWINGS	REV.
APPROVED FOR DISTRIBUTION	ON FILE	TYPE "F" POLE AND MAST ARMS	DRAWING NO. T.S. 4-3